

Guidelines of Implementation

EDIFACT SUBSET

EDITEC

REMADV



Deutscher Großhandelsverband Haustechnik e.V.



ARGE Neue Medien



REMADV

Version 4.0

Table of contents

Introduction.....	3
Instructions for usage.....	4
Message structure.....	5
Message structure diagram	6
Segment descriptions	8
Comprehensive example	41

No = consecutive segment number in the Guidelines
ID = object identifier

Introduction

This EDIFACT subset “Remittance Advice” has been prepared by ITEK on behalf of the Arbeitsgemeinschaft Neue Medien der deutschen Sanitärindustrie e.V. and the Deutscher Großhandelsverband Haustechnik e.V

ITEK
Technologiepark 13
33100 Paderborn

Phone no.: +49 52 51 16 14 –0
Facsimile no.: +49 52 51 16 14 –99
E-mail: editec@itekmbh.de

The EDIFACT subset is based on the EDIFACT syntax version 3 and the following public documents:

- EDIFACT – Standardized message type “REMADV”
- UN/EDIFACT Directory 96B, UN/ECE/TRADE/WP.4
- EDIFACT - Service Segments Application Guidelines, Draft DIN 16560 - Part 1, February 1994
- UN/EDIFACT code list D.97A

Paderborn, June 2015

With the EDIFACT subset REMADV, remittance data are transferred from the regulator/federation/wholesale trade to the manufacturer in a swift, safe and cost-effective manner. This subset description and these guidelines of implementation normalize and standardize the process of electronic remittance data transfer from the regulator/federation/wholesale trade to the industry.

By means of the harmonized use of the remittance data on the part of the wholesale trade, and by the harmonized processing of these data on the part of the industry, the process reliability required for both sender and recipient is achieved.

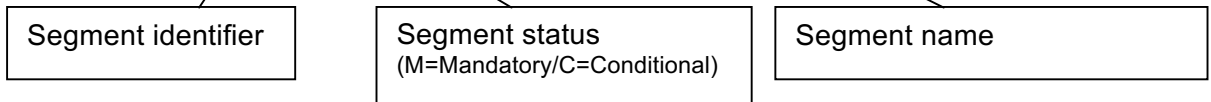
The individual notes on implementation are given at the end of each segment and are marked as such. By observing these guidelines of implementation, you will achieve the harmonized processing of your remittance data by the industry, and the necessary order process reliability. For this reason, the consistent use of remittance data as defined in the guidelines of implementation is mandatory for the harmonized processing of your remittances at the suppliers’.

Instructions for usage

Maximal number of repetitions possible (the mandatory field always refers to the segment and not to the maximal rate of repetitions)

Nummer	Nr	Segment	St	MaxWdh.	Ebene	Name
0210		SG5	C	1	2	CTA-COM
Diese Segmentgruppe enthält das CTA-Segment zur Angabe eines Ansprechpartners.						

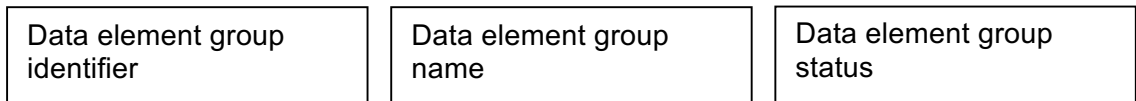
0220	19	CTA	M	1	2	Kommunikationspartner
------	----	------------	---	---	---	-----------------------



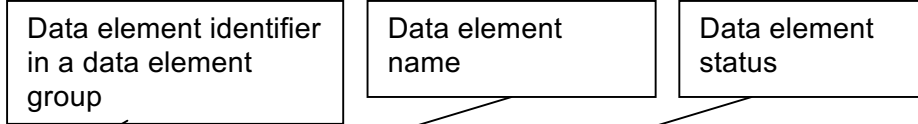
Data element identifier

3139			N			Wird im Subset nicht benutzt.
------	--	--	---	--	--	-------------------------------

This is a data element which is not used in the subset. Yet it is positioned either as a data element on data element group level or within a data element group between two data elements used in the subset. At the stage of the implementation, these data elements do not have to be taken into account.



C056		ABTEILUNGS- ODER BEARBEITERANGABEN	C			
3413			N			Wird im Subset nicht benutzt.



3412		Abteilung oder Bearbeiter	C an. 35			Name des Sachbearbeiters.
------	--	---------------------------	----------	--	--	---------------------------

Alphanumeric with a maximum length of 35 characters; at fixed length the dots “..” are omitted; also: a=alphabetic and n=numeric.

Details on the usage of particular elements in the subset

Message structure

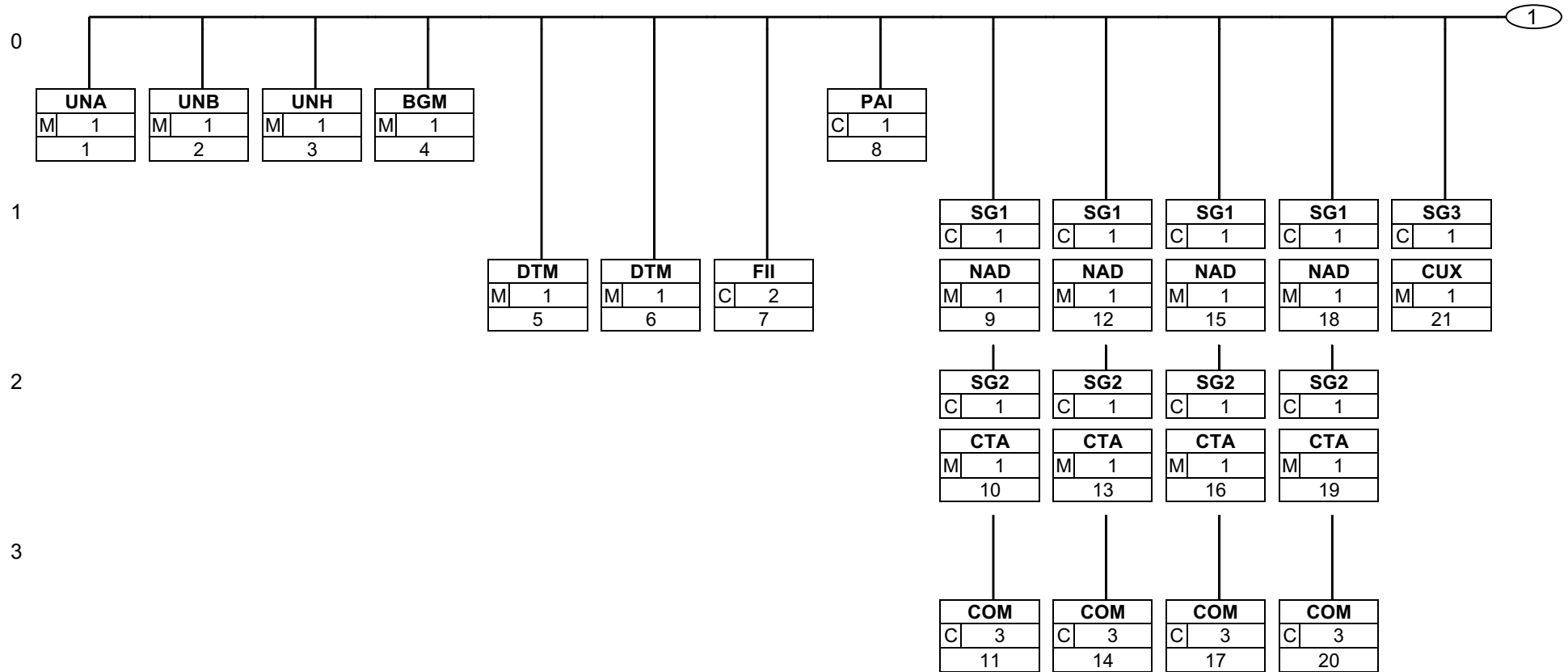
UNA	1	M	1	- Separator default
UNB	2	M	1	- User data head segment
UNH	3	M	1	- Message header
BGM	4	M	1	- Beginning of message
DTM	5	M	1	- Date/time of Remittance Advice
DTM	6	M	1	- Invoicing period
FII	7	C	2	- Credit institution
PAI	8	C	1	- Payment information
SG1		C	1	- Payee
NAD	9	M	1	- Name and address
SG2		C	1	- CTA-COM
CTA	10	M	1	- Communication partner
COM	11	C	3	- Communication link
SG1		C	1	- Payer
NAD	12	M	1	- Name and address
SG2		C	1	- CTA-COM
CTA	13	M	1	- Communication partner
COM	14	C	3	- Communication link
SG1		C	1	- Buyer
NAD	15	M	1	- Name and address
SG2		C	1	- CTA-COM
CTA	16	M	1	- Communication partner
COM	17	C	3	- Communication link
SG1		C	1	- Supplier
NAD	18	M	1	- Name and address
SG2		C	1	- CTA-COM
CTA	19	M	1	- Communication partner
COM	20	C	3	- Communication link
SG3		C	1	- CUX
CUX	21	M	1	- Currency data
SG4		C	9999	- DOC-MOA-DTM-RFF-SG6
DOC	22	M	1	- Document/message details
MOA	23	M	4	- Amount
DTM	24	C	1	- Date/time/period data
RFF	25	C	5	- Reference data
SG6		C	1	- AJT-MOA-RFF-FTX
AJT	26	M	1	- Indication of the reason for a modification
MOA	27	C	1	- Amount
RFF	28	C	1	- Reference data
FTX	29	C	10	- Free text
UNS	30	M	1	- Section control segment
MOA	31	M	1	- Amount
UNT	32	M	1	- Message end segment
UNZ	33	M	1	- User data end segment

St = Status

EDIFACT: M=Mandatory, C=Conditional

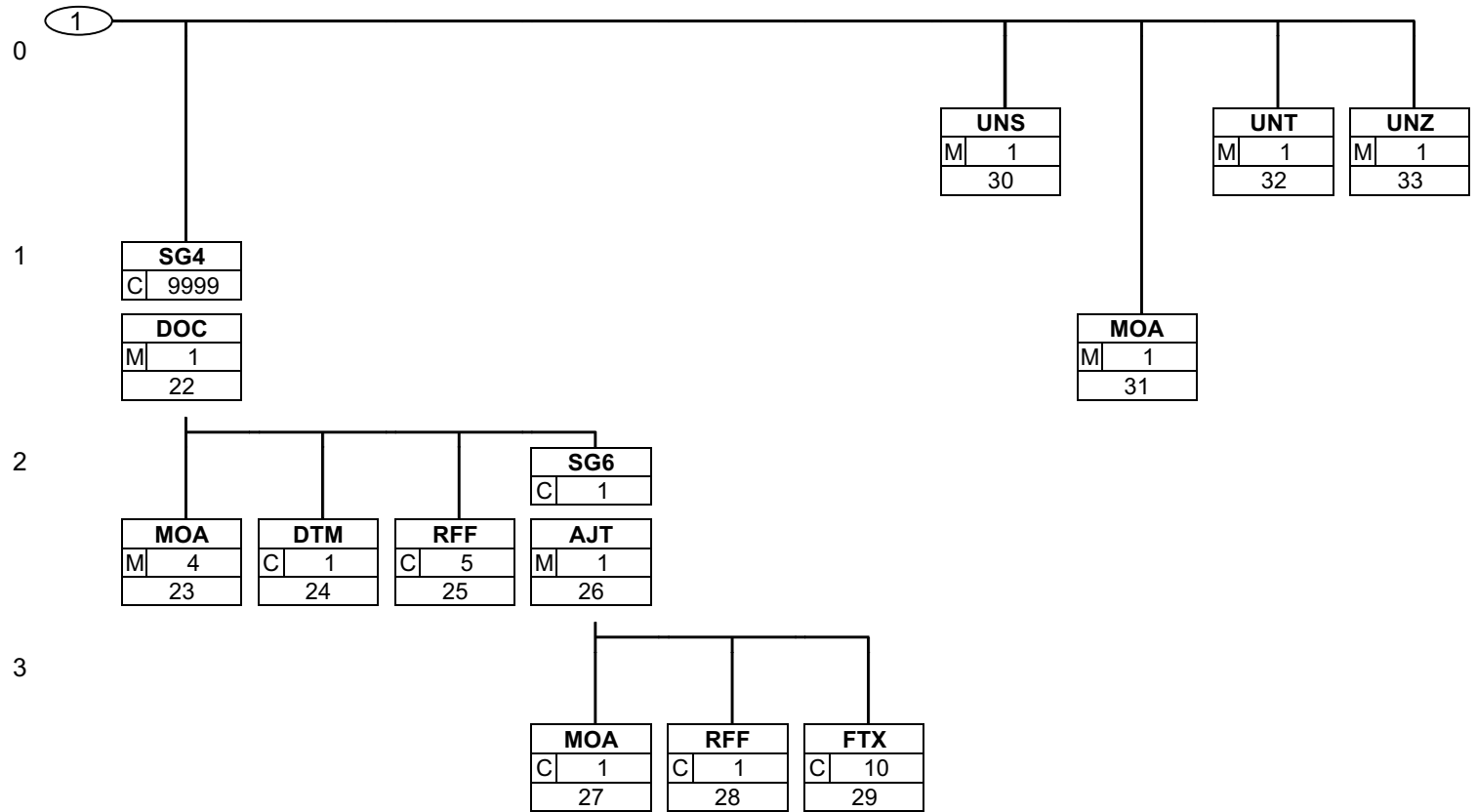
Application: R=Required, O=Optional, D=Dependent, A=Advised, N=Not used, X=Not used

Message structure diagram



Status: M=Mandatory, C=Conditional, R=Required, O=Optional, D=Dependent, A=Advised, N=Not used, X=Not used

Message structure diagram



Status: M=Mandatory, C=Conditional, R=Required, O=Optional, D=Dependent, A=Advised, N=Not used, X=Not used

Segment descriptions

Number	No	Segment	St	Joe rep.	Level	Name
--------	----	---------	----	----------	-------	------

0000	1	UNA	M	1	0	Separator default
------	---	------------	---	---	---	-------------------

Tag	Name	St	Format	Use/annotations
UNA				
UNA1	: separator	M	an1	Separates data elements in a data element group : constant
UNA2	+ separator	M	an1	Separates segment designations, data element groups und data elements + constant
UNA3	, decimal marker (comma)	M	an1	, constant
UNA4	? release indicator	M	an1	Restores the original meaning of the mark that follows the release indicator. ? constant
UNA5	blank space	M	an1	Reserved for later applications
UNA6	' segment terminator	M	an1	' constant

Description: In the UNA segment, separators, decimal marks, and release indicators are predefined. These marks are defined only once and apply to the following messages until they are revoked. Consequently, they will not be transferred furthermore.

Example: UNA:+, ? ' '

Segment descriptions

Number	No	Segment	St	Joe rep.	Level	Name
0000	2	UNB	M	1	0	User data head segment

Tag	Name	St	Format	Use/annotations
UNB				
S001	SYNTAX DESIGNATOR	M		
0001	Syntax identification	M	a4	Constant value: UNOC EDIFACT syntax character set C
0002	Syntax version number	M	n1	Constant value: 3 EDIFACT syntax version 3
S002	SENDER OF THE INTERCHANGE FILE	M		
0004	Sender designation	M	an..35	Identifier of the sender (e. g. identification number in the Telebox400)
0007	Participant designation, qualifier	M	an..4	This data element serves for the definite specification of the participants. The following codes are available: 65 sender Telebox400 user ZZZ sender (other network operators) 14 sender GLN SHK SHK mail
S003	RECIPIENT OF THE INTERCHANGE FILE	M		
0010	Recipient designation	M	an..35	Identifier of the recipient (e. g. identification number in the Telebox400)
0007	Participant designation, qualifier	M	an..4	This data element serves for the definite specification of the participants. The following codes are available: 65 recipient Telebox400 user ZZZ recipient (other network operators) 14 recipient GLN SHK SHK mail
S004	DATE/TIME OF CREATION	M		
0017	Date of creation	M	n6	Date of the creation of the message on the side of the sender in YYMMDD format (this format is prescribed by the EDIFACT application guideline for service segments).
0019	Time of creation	M	n4	Format: HHMM
0020	DATA EXCHANGE REFERENCE	M	an..14	Number for each communication address (X.400, Provider, ...) and message type, rising in ascending order. The data exchange reference number serves as a plausibility test for the identification of double transfers and failed transfers. This task is being fulfilled by the converter.
S005		N		
0022		N		Not used in the subset.
0026		N		Not used in the subset.
0029		N		Not used in the subset.
0031		N		Not used in the subset.
0032		N		Not used in the subset.
0035	Test indicator	C	n1	Test indicator

Description: In the UNB segment, specifications re syntax, sender/recipient of the transfer file, the date and time of its creation, and a data transfer reference are transferred. A recipient password may also be transferred as an option.

Example: UNB+UNOC:3+GLN SENDER:14+GLN RECIPIENT:14+150319:1428+59+++++1'

Segment descriptions

Number	No	Segment	St	Joe rep.	Level	Name
0010	3	UNH	M	1	0	Message header

Tag	Name	St	Format	Use/annotations
UNH				
0062	MESSAGE REFERENCE NUMBER	M	an..14	In each transfer file, every message is consistently numbered in ascending order, beginning with "1". This task is being fulfilled by the converter.
S009	MESSAGE IDENTIFICATION	M		
0065	Message type identification	M	an..6	Constant value: REMADV Remittance Advice
0052	Version number of the message type	M	an..3	Constant value: D Draft version/UN/EDIFACT Directory
0054	Release number of the message type	M	an..3	Constant value: 96B UN/EDIFACT Draft Directory D.96B
0051	Administrative organization, coded	M	an..2	UN United Nations UN/ECE/TRADE/WP.4
0057	Application code of the competent organization	M	an..6	Constant value: ITEK40 Version 4.0

Description: In the UNH segment, a message within a transfer file is identified unambiguously. The EDITEC subset "Remittance Advice" is based on the EDIFACT message type "REMADV".

Example: UNH+1+REMADV:D:96B:UN:ITEK40'

Segment descriptions

Number	No	Segment	St	Joe rep.	Level	Name
0020	4	BGM	M	1	0	Beginning of message

Tag	Name	St	Format	Use/annotations
BGM				
C002	DOCUMENT/MESSAGE NAME	M		
1001	Document/message name, coded	M	an..3	Constant value: 481 Remittance Advice
C106	DOCUMENT/MESSAGE IDENTIFICATION	C		
1004	Document/message number	M	an..35	Number of the Remittance Advice, assigned by the sender of the document.
1225	MESSAGE FUNCTION, CODED	C	an..3	The following codes are available: 1 cancellation 9 original 31 copy

Description: In the BGM segment, the purpose and the name of the message are defined.

Example: BGM+481+130319+9'

Segment descriptions

Number	No	Segment	St	Joe rep.	Level	Name
0030	5	DTM	M	1	1	Date/time of Remittance Advice

Tag	Name	St Format	Use/annotations
DTM			
C507	DATE/TIME/PERIOD DATA	M	
2005	Date/time/period data, qualifier	M an..3	The following codes are available: 137 document/message date
2380	Date/time/period data	C an..35	Remittance Advice date/invoicing period, formatted as defined in data element 2379.
2379	Date/time/period data, format, qualifier	C an..3	The following codes are available: 102 YYYYMMDD 711 YYYYMMDD-YYYYMMDD (only if an invoicing period has been selected in DE 2005)

Description: In the DTM segment the date of the Remittance Advice is transferred. In addition, the invoicing period may be transferred.

Example: DTM+137:20150319:102'

Segment descriptions

Number	No	Segment	St	Joe rep.	Level	Name
0030	6	DTM	M	1	1	Invoicing period

Tag	Name	St Format	Use/annotations
DTM			
C507	DATE/TIME/PERIOD DATA	M	
2005	Date/time/period data, qualifier	M an..3	The following codes are available: 263 invoicing period
2380	Date/time/period data	C an..35	Remittance Advice date/invoicing period, formatted as defined in data element 2379.
2379	Date/time/period data, format, qualifier	C an..3	The following codes are available: 102 YYYYMMDD 711 YYYYMMDD-YYYYMMDD (only if an invoicing period has been selected in DE 2005)

Description: In the DTM segment the date of the Remittance Advice is transferred. In addition, the invoicing period may be transferred.

Implementation note: Indicating the invoicing period is important and necessary. Inside Germany, the invoicing period should always be transferred in the format "711" YYYYMMDD-YYYYMMDD under qualifier "263" .

Example: DTM+263:20141029:102'

Segment descriptions

Number	No	Segment	St	Joe rep.	Level	Name
0050	7	FII	C	2	1	Credit institution

Tag	Name	St	Format	Use/annotations
FII				
3035	PARTICIPANT, qualifier	M	an..3	The following codes are available: PB remitting credit institution RB receiving credit institution
C078	ACCOUNT DATA	C		
3194	Account number	M	an..35	Payee's national account number or IBAN
3192	Account holder	M	an..35	
3192	Account holder	C	an..35	
C088	CREDIT INSTITUTION IDENTIFICATION	C		
3433	Credit institution, identification	M	an..11	Payee's national bank code or BIC
1131	Code list, qualifier	M	an..3	Constant value: 25 bank identification (bank code)
3055	Administrative organization, coded	M	an..3	Constant value: 5 ISO (International Organization for Standardization)

Description: With this segment, the accounts of the paying and the receiving banks are indicated.

Implementation note: In this segment the remitting and the receiving credit institutions have to be transferred with the above-mentioned codes.

Example: `FII+RB+589900890:smapple:credit institution+BIC:25:5'`

Segment descriptions

Number	No	Segment	St	Joe rep.	Level	Name
0060	8	PAI	C	1	0	Payment information

Tag	Name	St Format	Use/annotations
PAI			
C534	Payment instruction details	M	
4439		N	Not used in the subset.
4431		N	Not used in the subset.
4461	Means of payment, coded	M an..3	The following codes are available: 20 cheque 21 banker's draft (bank bill) 31 direct debit 42 payment to bank account 70 bill drawn on the debtor by the creditor (commercial bill)

Description: This segment serves to specify the means of payment.

Implementation note: In this segment, the means of payment and the payment method according to the above list are transferred.

Example: PAI+ : : 42 '

Segment descriptions

Number	No	Segment	St	Joe rep.	Level	Name
0090		SG1	C	1	1	Payee
This segment group encompasses the NAD segment and segment group 2 und serves for the indication of the partners and places.						
0100	9	NAD	M	1	1	Name and address

Tag	Name	St Format	Use/annotations
NAD			
3035	PARTNER, qualifier	M an..3	The following codes are available: PE payee
C082	IDENTIFICATION OF THE PARTNER	C	
3039	Partner identification number, coded	M an..35	In relation to the qualifier stated above, the identification number of the partner will be provided here.
1131		N	Not used in the subset.
3055	Administrative organization, coded	M an..3	The following codes are available: 9 GLN (GS1 as the German issuer of the GLN numbers) ZZZ bilaterally agreed upon (customer- and supplier numbers)

Description: In the NAD segment, data for the identification of the parties involved as well as important address details are transferred.

Implementation note: Insofar as indicating the buyer in the centralized settlement business requires a new transfer file, indicating the buyer should be avoided.

In such cases, the payee or supplier can identify the buyer by means of the invoice number in their IT systems.

Example: NAD+PE+GLN-Payee::9'

Segment descriptions

Number	No	Segment	St	Joe rep.	Level	Name
0110		SG2	C	1	2	CTA-COM
This segment group contains the CTA segment for the indication of the contact person and the COM segment for the indication of the communication link with the contact person.						
0120	10	CTA	M	1	2	Communication partner

Tag	Name	St	Format	Use/annotations
CTA				
3139		N		Not used in the subset.
C056	DEPARTMENT OR EMPLOYEE DETAILS	M		
3413		N		Not used in the subset.
3412	Department or person responsible	M	an..35	Name of the department or person responsible

Description: In the CTA segment, the name of the person responsible for the transaction at hand, both at the sender's and the recipient's, can be transferred.

Example: CTA++:Joe Sample'

Segment descriptions

Number	No	Segment	St	Joe rep.	Level	Name
0110		SG2	C	1	2	CTA-COM
This segment group contains the CTA segment for the indication of the contact person and the COM segment for the indication of the communication link with the contact person.						
0130	11	COM	C	3	3	Communication link

Tag	Name	St	Format	Use/annotations
COM				
C076	COMMUNICATION LINK	M		
3148	Communication number	M	an..512	
3155	Communication channel/service, qualifier	M	an..3	The following codes are available: EM E-Mail FX Facsimile TE Telephone

Description: A segment for the indication of the communication number and -type of the person responsible or department referred to in the CTA segment.

Example: COM+Joe_Sample@e_mail.de:EM'

Segment descriptions

Number	No	Segment	St	Joe rep.	Level	Name
0090		SG1	C	1	1	Payer
This segment group encompasses the NAD segment and segment group 2 und serves for the indication of the partners and places.						
0100	12	NAD	M	1	1	Name and address

Tag	Name	St Format	Use/annotations
NAD			
3035	PARTNER, qualifier	M an..3	The following codes are available: PR Payer
C082	IDENTIFICATION OF THE PARTNER	C	
3039	Partner identification number, coded	M an..35	In relation to the qualifier stated above, the identification number of the partner will be provided here.
1131		N	Not used in the subset.
3055	Administrative organization, coded	M an..3	The following codes are available: 9 GLN (GS1 as the German issuer of the GLN numbers) ZZZ bilaterally agreed upon (customer- and supplier numbers)

Description: In the NAD segment, data for the identification of the parties involved as well as important address details are transferred.

Implementation note: Insofar as indicating the buyer in the centralized settlement business requires a new transfer file, indicating the buyer should be avoided.

In such cases, the payee or supplier can identify the buyer by means of the invoice number in their IT systems.

Example: NAD+PR+GLN-Payer::9'

Segment descriptions

Number	No	Segment	St	Joe rep.	Level	Name
0110		SG2	C	1	2	CTA-COM
This segment group contains the CTA segment for the indication of the contact person and the COM segment for the indication of the communication link with the contact person.						
0120	13	CTA	M	1	2	Communication partner

Tag	Name	St	Format	Use/annotations
CTA				
3139		N		Not used in the subset.
C056	DEPARTMENT OR EMPLOYEE DETAILS	M		
3413		N		Not used in the subset.
3412	Department or person responsible	M	an..35	Name of the department or person responsible.

Description: In the CTA segment, the name of the person responsible for the transaction at hand, both at the sender's and the recipient's, can be transferred.

Example: CTA++:Joanne Sample'

Segment descriptions

Number	No	Segment	St	Joe rep.	Level	Name
0110		SG2	C	1	2	CTA-COM
This segment group contains the CTA segment for the indication of the contact person and the COM segment for the indication of the communication link with the contact person.						
0130	14	COM	C	3	3	Communication link

Tag	Name	St Format	Use/annotations
COM			
C076	COMMUNICATION LINK	M	
3148	Communication number	M an..512	
3155	Communication channel/service, qualifier	M an..3	The following codes are available: EM E-Mail FX Facsimile TE Telephone

Description: A segment for the indication of the communication number and -type of the person responsible or department referred to in the CTA segment.

Example: COM+Joanne_Sample@e_mail.de:EM'

Segment descriptions

Number	No	Segment	St	Joe rep.	Level	Name
0090		SG1	C	1	1	Buyer
This segment group encompasses the NAD segment and segment group 2 und serves for the indication of the partners and their contact persons.						
0100	15	NAD	M	1	1	Name and address

Tag	Name	St Format	Use/annotations
NAD			
3035	PARTNER, qualifier	M an..3	The following codes are available: BY buyer * * The code "BY" (for buyer) is only used in the centralized settlement business. Explanation: The code "BY" is used to identify the buyer of goods and services.
C082	IDENTIFICATION OF THE PARTNER	C	
3039	Partner identification number, coded	M an..35	In relation to the qualifier stated above, the identification number of the partner will be provided here.
1131		N	Not used in the subset.
3055	Administrative organization, coded	M an..3	The following codes are available: 9 GLN (GS1 as the German issuer of the GLN numbers) ZZZ bilaterally agreed upon (customer- and supplier numbers)

Description: In the NAD segment, data for the identification of the parties involved as well as important address details are transferred.

Implementation note: Insofar as indicating the buyer in the centralized settlement business requires a new transfer file, indicating the buyer should be avoided.

In such cases, the payee or supplier can identify the buyer by means of the invoice number in their IT systems.

Example: NAD+BY+GLN buyer::9'

Segment descriptions

Number	No	Segment	St	Joe rep.	Level	Name
0110		SG2	C	1	2	CTA-COM
This segment group contains the CTA segment for the indication of the contact person and the COM segment for the indication of the communication link.						
0120	16	CTA	M	1	2	Communication partner

Tag	Name	St	Format	Use/annotations
CTA				
3139		N		Not used in the subset.
C056	DEPARTMENT OR EMPLOYEE DETAILS	M		
3413		N		Not used in the subset.
3412	Department or person responsible	M	an..35	Name of the person responsible or department

Description: In the CTA segment, the name of the person responsible for the transaction at the partners' defined in the NAD segment can be transferred.

Example: CTA++:Joanne Sample'

Segment descriptions

Number	No	Segment	St	Joe rep.	Level	Name
0110		SG2	C	1	2	CTA-COM
This segment group contains the CTA segment for the indication of the contact person and the COM segment for the indication of the communication link.						
0130	17	COM	C	3	3	Communication link

Tag	Name	St Format	Use/annotations
COM			
C076	COMMUNICATION LINK	M	
3148	Communication number	M an..512	
3155	Communication channel/service, qualifier	M an..3	The following codes are available: EM E-Mail FX Facsimile TE Telephone

Description: A segment for the indication of the communication number and -type of the person responsible or department referred to in the CTA segment.

Example: COM+Joanne_Sample@e_mail.de:EM'

Segment descriptions

Number	No	Segment	St	Joe rep.	Level	Name
0090		SG1	C	1	1	Supplier
This segment group encompasses the NAD segment and segment group 2 und serves for the indication of the partners and their contact persons.						
0100	18	NAD	M	1	1	Name and address

Tag	Name	St Format	Use/annotations
NAD			
3035	PARTNER, qualifier	M an..3	The following codes are available: SU supplier * * The code "SU" (for supplier) is only used in the centralized settlement business.
C082	IDENTIFICATION OF THE PARTNER	C	
3039	Partner identification number, coded	M an..35	In relation to the qualifier stated above, the identification number of the partner will be provided here.
1131		N	Not used in the subset.
3055	Administrative organization, coded	M an..3	The following codes are available: 9 GLN (GS1 as the German issuer of the GLN numbers) ZZZ bilaterally agreed upon (customer- and supplier numbers)

Description: In the NAD segment, data for the identification of the parties involved as well as important address details are transferred.

Example: NAD+SU+GLN recipient::9'

Segment descriptions

Number	No	Segment	St	Joe rep.	Level	Name
0110		SG2	C	1	2	CTA-COM
This segment group contains the CTA segment for the indication of the contact person and the COM segment for the indication of the communication link.						
0120	19	CTA	M	1	2	Communication partner

Tag	Name	St	Format	Use/annotations
CTA				
3139		N		Not used in the subset.
C056	DEPARTMENT OR EMPLOYEE DETAILS	M		
3413		N		Not used in the subset.
3412	Department or person responsible	M	an..35	Name of the person responsible for the transaction

Description: In the CTA segment, the name of the person responsible for the transaction at hand, both at the sender's and the recipient's, can be transferred.

Example: CTA++:Joe Sample'

Segment descriptions

Number	No	Segment	St	Joe rep.	Level	Name
0110		SG2	C	1	2	CTA-COM
This segment group contains the CTA segment for the indication of the contact person and the COM segment for the indication of the communication link.						
0130	20	COM	C	3	3	Communication link

Tag	Name	St	Format	Use/annotations
COM				
C076	COMMUNICATION LINK	M		
3148	Communication number	M	an..512	
3155	Communication channel/service, qualifier	M	an..3	The following codes are available: EM E-Mail FX Facsimile TE Telephone

Description: A segment for the indication of the communication number and -type of the person responsible or department referred to in the CTA segment.

Example: COM+Joe_Sample@e_mail.de:EM'

Segment descriptions

Number	No	Segment	St	Joe rep.	Level	Name
0140		SG3	C	1	1	CUX
This segment group contains the CUX segment und serves to transfer a reference currency for the entire Remittance Advice.						
0150	21	CUX	M	1	1	Currency information

Tag	Name	St Format	Use/annotations
CUX			
C504	CURRENCY DATA	C	
6347	Currency data, qualifier	M an..3	Constant value: 2 Reference currency
6345	Currency, coded	C an..3	The most important currency codes according to ISO 4217: DKK Danish kroner (crowns) EUR Euros GBP British pounds CAD Canadian dollars NOK Norwegian kroner (crowns) PLN Polish zloty SEK Swedish krona (crowns) CHF Swiss francs USD US dollars

Description: In the CUX segment, data referring to currency units are transferred.

Example: CUX+2:EUR'

Segment descriptions

Number	No	Segment	St	Joe rep.	Level	Name
0170		SG4	C	9999	1	DOC-MOA-DTM-RFF-SG6
<p>The segment group contains information regarding the documents that have been transferred electronically or in printed form. The documents are to be understood according to the message description and may also identify the subsequent processing.</p>						
0180	22	DOC	M	1	1	Document/message details

Tag	Name	St Format	Use/annotations
DOC			
C002	DOCUMENT/MESSAGE NAME	M	
1001	Document/message name, coded	C an..3	<p>The following codes are available:</p> <ul style="list-style-type: none"> 83 credit note related to financial adjustments 325 pro forma invoice 380 commercial invoice 381 credit note – goods and services 383 debit note – goods and services 31e service credit note * (EANCOM Code 83) 32e service invoice * (EANCOM Code 84) 33i bonus * IQ1 returns * IQ2 cancellation invoice * IQ3 invoice correction * IQ4 proof of payment reduction * <p>Codes marked * do not correspond to any UN/EDIFACT code list.</p>
C503	DOCUMENT/MESSAGE DETAILS	C	
1004	Document/message number	M an..35	Number of the document referred to in data element 1001

Description: This segment contains information regarding the documents that the Remittance Advice refers to. The Line item section of the Remittance Advice is created by repeating the DOC segment.

Implementation note:

- Code 83 – credit note related to financial adjustments**
This document serves as a credit advice for an unauthorised debit advice/invoice reduction by the wholesale trade.
- Code 325 – pro forma invoice (payment on account)**
With this document, payments on account are brought into account. The pro forma invoice is only used in centralized settlements.
- Code 380 – commercial invoice**
The invoice serves as a request to pay for delivered goods or services rendered according to the agreed terms.
- Code 381 – credit note**
The credit note provides information referring to credit notes for goods and services for the beneficiary.
- Code 383 – debit note / goods and services**
This document indicates a debit to the supplier, e.g. for defective goods.
- Code 31e – service credit note**
This document transfers credit information referring to financial corrections.
- Code 32e – service invoice**
This document transfers debit information referring to financial corrections.
- Code 33i – bonus**
This document transfers separate bonuses.

These are the numbers transferred by the supplier for invoices and credit notes. It is important for automatic processing that the number transferred by the supplier is transferred 1:1 without any alterations.

Example: DOC+380+RE15405998790'

Segment descriptions

Number	No	Segment	St	Joe rep.	Level	Name
--------	----	---------	----	----------	-------	------

0170		SG4	C	9999	1	DOC-MOA-DTM-RFF-SG6
------	--	------------	---	------	---	----------------------------

The segment group contains information regarding the documents that have been transferred electronically or in printed form. The documents are to be understood according to the message description and may also identify the subsequent processing.

0190	23	MOA	M	4	2	Amount
------	----	------------	---	---	---	---------------

Tag	Name	St	Format	Use/annotations
MOA				
C516	AMOUNT		M	
5025	Amount, qualifier		M an..3	The following codes are available: 52 allowance (discount) 77 invoice amount 143 transfer amount 265 commission amount (delcredere commissions) * * Code "265" commission amount (including taxes) is used only in case of centralized settlements.
5004	Amount		C n..18	

Description: This segment serves to indicate an amount.

Example: MOA+52:39,58'

Segment descriptions

Number	No	Segment	St	Joe rep.	Level	Name
0170		SG4	C	9999	1	DOC-MOA-DTM-RFF-SG6
The segment group contains information regarding the documents that have been transferred electronically or in printed form. The documents are to be understood according to the message description and may also identify the subsequent processing.						
0200	24	DTM	C	1	2	Date/time/period data

Tag	Name	St	Format	Use/annotations
DTM				
C507	DATE/TIME/PERIOD DATA	M		
2005	Date/time/period data, qualifier	M	an..3	Constant value: 137 document/message date
2380	Date/time/period data	C	an..35	Date, formatted as defined in data element 2379.
2379	Date/time/period data, format, qualifier	C	an..3	Constant value: 102 YYYYMMDD

Description: Date/time of the document indicated in the DOC segment.

Example: DTM+137:20150204:102'

Segment descriptions

Number	No	Segment	St	Joe rep.	Level	Name
0170		SG4	C	9999	1	DOC-MOA-DTM-RFF-SG6
The segment group contains information regarding the documents that have been transferred electronically or in printed form. The documents are to be understood according to the message description and may also identify the subsequent processing.						
0210	25	RFF	C	5	2	Reference data

Tag	Name	St	Format	Use/annotations
RFF				
C506	REFERENCE DATA		M	
1153	Reference, qualifier		M an..3	The following codes are available: API additional partner identification Reference number for an additional partner identification. This may be the internal number by which one partner identifies their commercial partners.
1154	Reference number		C an..35	Additional buyer's identification number at document level

Description: In the RFF segment, the reference number for an additional partner identification can be transferred. This number serves to reference the buyer at document level and is required in the centralized settlement business.

Implementation note: Insofar as indicating the buyer in the centralized settlement business requires a new transfer file, indicating the buyer should be avoided.

In such cases, the payee or supplier can identify the buyer by means of the invoice number in their IT systems.

Example: RFF+API:1'

Segment descriptions

Number	No	Segment	St	Joe rep.	Level	Name
0260		SG6	C	1	2	AJT-MOA-RFF-FTX
0270	26	AJT	M	1	2	Indication of the reason for a modification

Tag	Name	St Format	Use/annotations
AJT			
4465	MODIFICATION REASON, CODED	M an..3	<p>The following codes are available:</p> <ul style="list-style-type: none"> 1 agreed adjustment 3 damaged goods 4 partial delivery 5 price in dispute 9 accounting irregularity 16 goods partially returned 17 damage in transit 19 trade discount 20 deduction for delayed delivery 32 goods not delivered 57 price alteration 16E discount ZZZ bilaterally agreed <p>If corrections are made because of national tax practices, corresponding code values have to be assigned by the national numbering authority.</p>

Description: This segment serves the indication of the reason for a correction to the current document.

The corrections apply to the entire referenced document in the DOC segment.

Example: AJT+1 *

Segment descriptions

Number	No	Segment	St	Joe rep.	Level	Name
0260		SG6	C	1	2	AJT-MOA-RFF-FTX
0280	27	MOA	C	1	3	Amount

Tag	Name	St Format	Use/annotations
MOA			
C516	AMOUNT	M	
5025	Type of amount, qualifier	M an..3	The following codes are available: 5 corrected amount
5004	Amount	C n..18	

Description: This segment serves to indicate the corrected amount.

Example: MOA+5:9'

Segment descriptions

Number	No	Segment	St	Joe rep.	Level	Name
0260		SG6	C	1	2	AJT-MOA-RFF-FTX
0290	28	RFF	C	1	3	Reference data

Tag	Name	St Format	Use/annotations
RFF			
C506	REFERENCE DATA	M	
1153	Reference, qualifier	M an..3	The following codes are available: ON order number (buyer) PL price list number PP order alteration number POR order response number ON order number (supplier)
1154	Reference number	C an..35	

Description: In the RFF segment, the references regarding the corrected amounts can be transferred.

Example: RFF+ON:1'

Segment descriptions

Number	No	Segment	St	Joe rep.	Level	Name
0260		SG6	C	1	2	AJT-MOA-RFF-FTX
0300	29	FTX	C	10	3	Free text

Tag	Name	St	Format	Use/annotations
FTX				
4451	TEXT, qualifier		M an..3	Constant value: AAI general information
4453			N	Not used in the subset.
C107			N	
4441			N	Not used in the subset.
C108	FREE TEXT		C	
4440	Free text		M an..70	
4440	Free text		C an..70	
4440	Free text		C an..70	
4440	Free text		C an..70	
4440	Free text		C an..70	

Description: In this segment additional information regarding the remittance advice can be transferred, such as reduction notes.

Example: FTX+AAI+++free text:free text:free text:free text:free text'

Open questions: According to EDIFACT, 5 max. allowed

Segment descriptions

Number	No	Segment	St	Joe rep.	Level	Name
0470	30	UNS	M	1	0	Section control segment

Tag	Name	St Format	Use/annotations
UNS			
0081	SECTION IDENTIFIER, CODED	M a1	Constant value: S Separation of line item- and sum section

Description: The UNS segment is a service segment and marks the separation of line item- and sum section.

Example: UNS+S'

Segment descriptions

Number	No	Segment	St	Joe rep.	Level	Name
0480	31	MOA	M	1	1	Amount

Tag	Name	St Format	Use/annotations
MOA			
C516	AMOUNT	M	
5025	Type of amount, qualifier	M an..3	The following codes are available: 128 total amount
5004	Amount	C n..18	

Description: This segment serves the indication of an amount of money.

Example: MOA+128:1180'

Segment descriptions

Number	No	Segment	St	Joe rep.	Level	Name
0490	32	UNT	M	1	0	Message end segment

Tag	Name	St Format	Use/annotations
UNT			
0074	NUMBER OF SEGMENTS IN ONE MESSAGE	M n..6	Number of segments transferred in this message, incl. segments UNH and UNT.
0062	MESSAGE REFERENCE NUMBER	M an..14	The same reference number as in UNH / 0062 has to be entered here. Upon receipt of message, this number will be compared with the entry in the segment UNH.

Description: In the UNT segment, the number of segments and a message reference number are transferred for a plausibility check.

Example: UNT+30+1'

Segment descriptions

Number	No	Segment	St	Joe rep.	Level	Name
0000	33	UNZ	M	1	0	User data end segment

Tag	Name	St Format	Use/annotations
UNZ			
0036	DATA EXCHANGE COUNTER	M n..6	Here the number of messages within the user data frame UNB...UNZ is entered.
0020	DATA EXCHANGE REFERENCE	M an..14	Here the same reference number as in UNB / 0020 has to be entered. Upon receipt of the user data frame, this number is compared to the entry in the segment UNB.

Description: In the UNZ segment, a data exchange counter and a data exchange reference can be transferred.

Example: UNZ+1+59'

REMADV

Comprehensive example

UNA:+.? '
UNB+UNOC:3+GLN SENDER:14+GLN RECIPIENT:14+150319:1428+59'
UNH+1+REMADV:D:96B:UN:ITEK40'
BGM+481+130319'
DTM+137:20150319:102'
DTM+263:20150319:102'
FII+RB+589900890:sample credit institution+BIC:25:5'
PAI+::42'
NAD+PE+GLN payee::9'
NAD+PR+GLN Payer::9'
NAD+BY+GLN buyer::9'
NAD+SU+GLN recipient::9'
CUX+2:EUR'
DOC+380+RE15405998790'
MOA+52:39.58'
MOA+77:1319.34'
MOA+143:1240.18'
MOA+265:39.58'
DTM+137:20150204:102'
DOC+381+GU15889700731'
MOA+52:1.92'
MOA+77:64.02'
MOA+143:60.18'
MOA+265:1.92'
DTM+137:20150311:102'
UNS+S'
MOA+128:1180'
UNT+26+1'
UNZ+1+59'