

**Guidelines of Implementation
for
EDIFACT SUBSET
EDITEC
Despatch Advice**



DESADV / D.96B

Version 3.5 / November 2010

1. INTRODUCTION	3
2. EXPLANATION	4
3. INSTRUCTIONS FOR USAGE	7
4. MESSAGE STRUCTURE DIAGRAM	8
5. HISTORY	9
6. MESSAGE STRUCTURE OF THE SUBSET	10
UNA K 1 PRESETTING OF SEPARATORS:	10
UNB M 1 USAGE DATA HEAD SEGMENT	11
UNH M 1 MESSAGE HEAD SEGMENT	13
BGM M 1 BEGINNING OF MESSAGE	14
DTM K 4 DATE/TIME/PERIOD SPECIFICATIONS	15
NAD M 1 NAME AND ADDRESS	16
RFF M 1 REFERENCE DATA	18
CTA M 1 CONTACT INFORMATION	19
COM K 4 COMMUNICATION CONNECTION	19
TDT M 1 TRANSPORT DATA	20
CPS M 1 HIERARCHY OF PACKAGING OF A SHIPMENT	22
PAC M 1 PACKAGE / PACKAGING	24
MEA K 5 MEASURES AND WEIGHTS	25
PCI M 1 PACKAGE DESIGNATION	27
GIN M 1 GOODS IDENTIFICATION NUMBER	28
LIN M 1 LINE ITEM NUMBER	29
PIA K 10 ADDITIONAL PRODUCT IDENTIFICATION	30
IMD K 10 ITEM DESCRIPTION	33
QTY K 1 QUANTITY	34
RFF M 1 REFERENCE DATA	35
QVR M 1 QUANTITY VARIATIONS	36
DTM K 1 DATE/TIME/PERIOD SPECIFICATIONS	37
UNT M 1 MESSAGE END SEGMENT	38
UNZ M 1 USER DATA – END SEGMENT	38

1. Introduction

The implementation guidelines for the EDIFACT subset at hand, concerning the message type “Despatch Advice” was provided by ITEK on behalf of the Arbeitsgemeinschaft Neue Medien der deutschen Sanitärindustrie e.V. and the Deutscher Großhandelsverband Haustechnik e.V.

ITEK

Technologiepark 19
33100 Paderborn

Phone no.: +49 (52 51) 16 14 –0
Fax no.: +49 (52 51) 16 14 –99
E-mail: editec@itekmbh.de

The EDIFACT Subset is based on the EDIFACT-Syntax-Version 3 and the following public documents:

- EDIFACT – Standardised message type “DESADV”
- UN/EDIFACT Directory 96 B, UN/ECE/TRADE/WP.4
- EDIFACT Application Guidelines Service Segments, Draft DIN 16560-Part 1, February 1994
- UN/EDIFACT Code List D.97A

Paderborn, November 2010

2. Explanation

The EDITEC Despatch Advice contains details to goods ready for shipment. These pieces of information are either mere data on delivery notes (articles with name and quantity), or these are complemented by packaging hierarchies and the according numeration via the so-called serial shipping container code. It must be pointed out that the Despatch Advice should be sent to the addressee in advance of the physical arrival of the goods. This way, the addressee will be able to use the information to prepare the receipt of the goods.

In detail, information about line items and packages may be given. The following data shall be provided for the addressee:

1. At what time and date were the goods shipped, respectively when will they be disposed for delivery?
2. How are the goods packaged, and which package contains which item?
3. Consequently, the addressee will be able to optimize his incoming goods logistics, as well as conduct an incoming goods inspection.
4. In addition, there is the possibility of using the Despatch Advice as a means of invoice validation.

It is recommended that the serial shipping container code (SSCC), which is given as a barcode in the EAN-128 standard is used to mark the packaging units (packages). By the application of bar code scanners, the receipt of goods may be processed quickly and effectively.

Apart from the presentation of the article number, the number of the shipping unit is another variant which can be processed in the EAN-128 Standard.

In contrast to the EAN article number (international article number of the shipping unit), which gives the EAN data designator 01 in advance, the number of the shipping unit is marked by the EAN data designator 00.

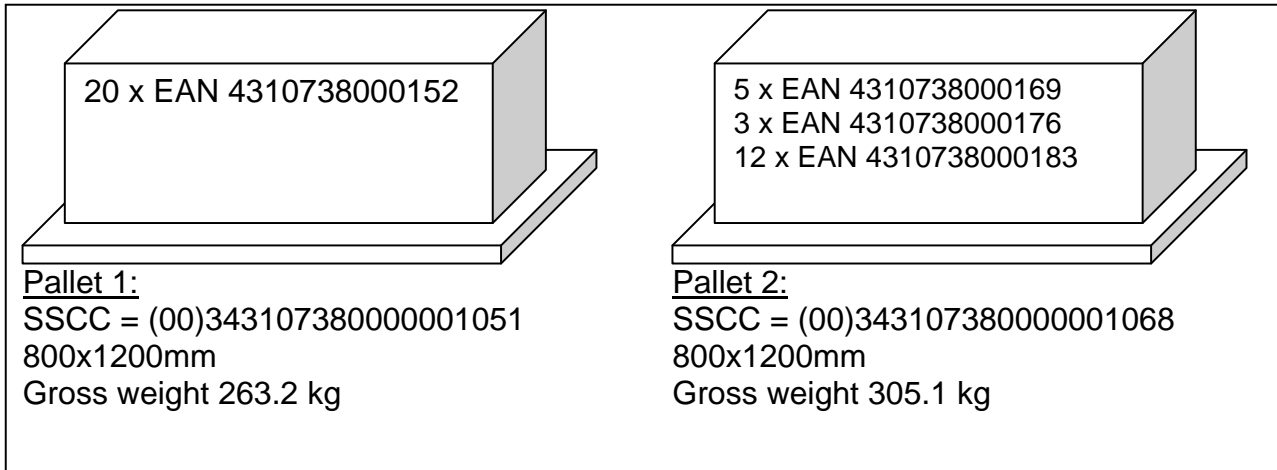
By means of the Despatch Advice, the inner hierarchic structure of a shipment may be described. It starts on the highest level with the shipment and ends on the lowest level with the line item (see examples on pages 4 and 20).

However, the indication of the inner hierarchic relationship of a shipment is not mandatory. A simple and reasonable use of the Despatch Advice is made up by the indication of all positions subject to delivery and the related relevant data (article number, quantity etc.) of a shipment.

How to use the hierarchy – Example:

The shipment confirmation refers to a shipment of two pallets. Each pallet is distinctly identified by a serial shipping container code (SSCC).

The first pallet is identified by the SSCC (00)343107380000001051. It consists of 20 card-



Partition of the example shipment

board boxes with the EAN 4310738000152. The pallet is a standard pallet of 800 mm x 1,200 mm linear dimension and a gross weight of 263.2 kg. The assumption is that each cardboard box holds a single article, only.

The second pallet is identified by the NVE / SSCC (00)343107380000001068. It consists of 5 cardboard boxes with the product of the EAN 4310738000169, 3 cardboard boxes of the EAN 4310738000176 and 12 cardboard boxes of the EAN 4310738000183. The pallet is a standard pallet of 800 mm x 1,200 mm linear dimension and a gross weight of 305.1 kg. Once again, each cardboard box holds a single article, only.

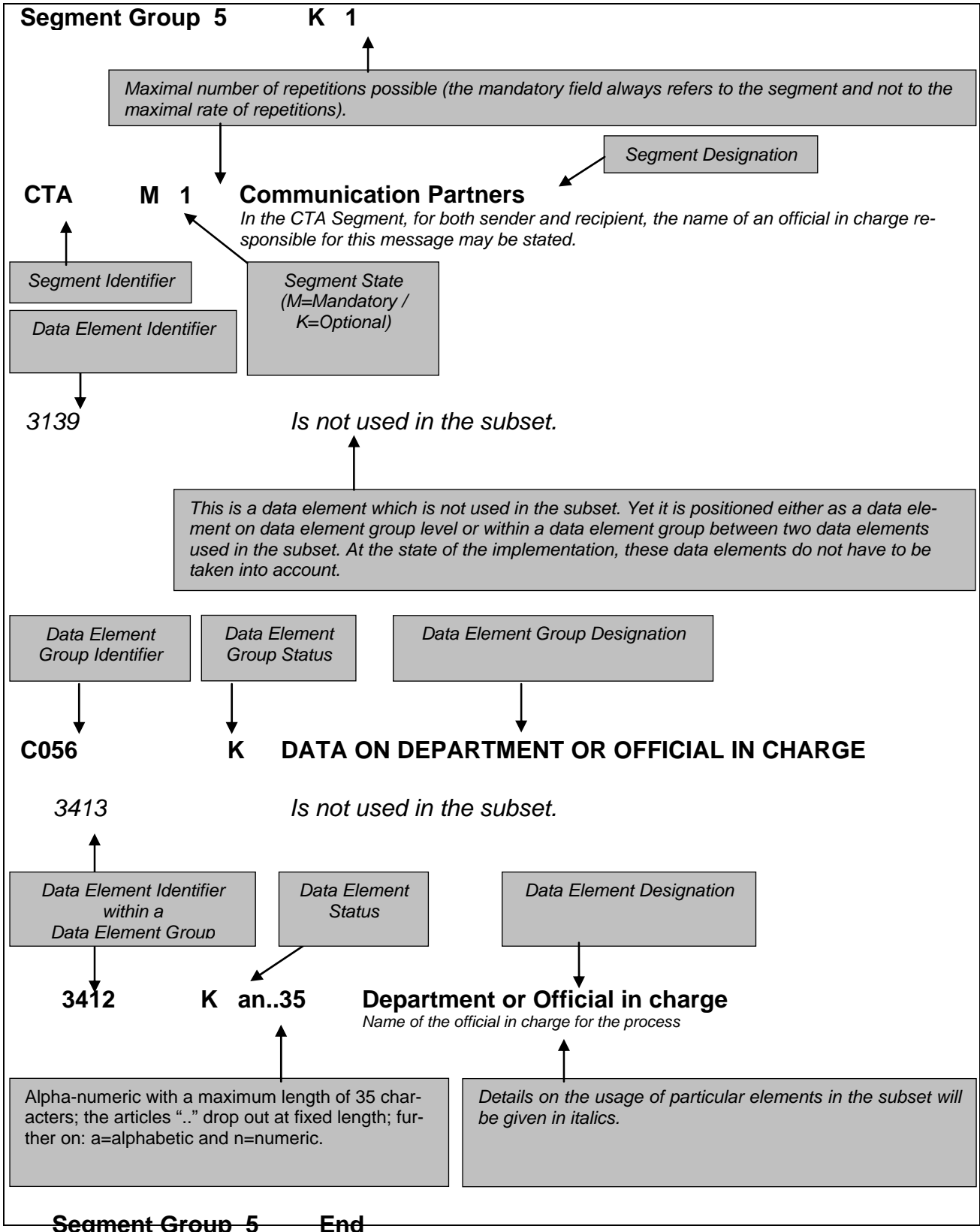
The example describes a shipment consisting of two pallets. It provides for each pallet the type of pallet, measures and weights as well as the distinct identification number (serial shipping container code; SSCC). The content of each pallet is then described by the EAN of the units contained.

The EDIFACT file referring to this example is constructed as follows:

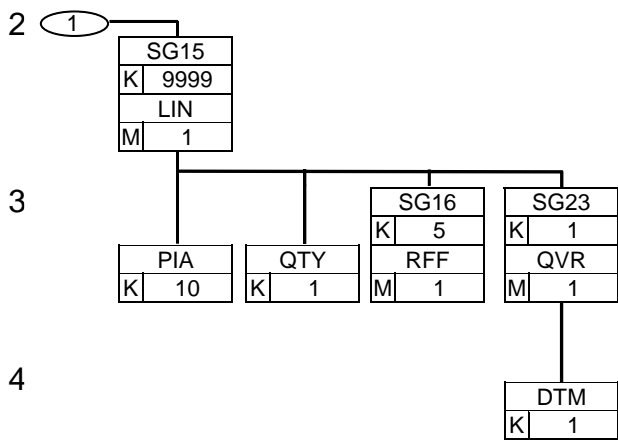
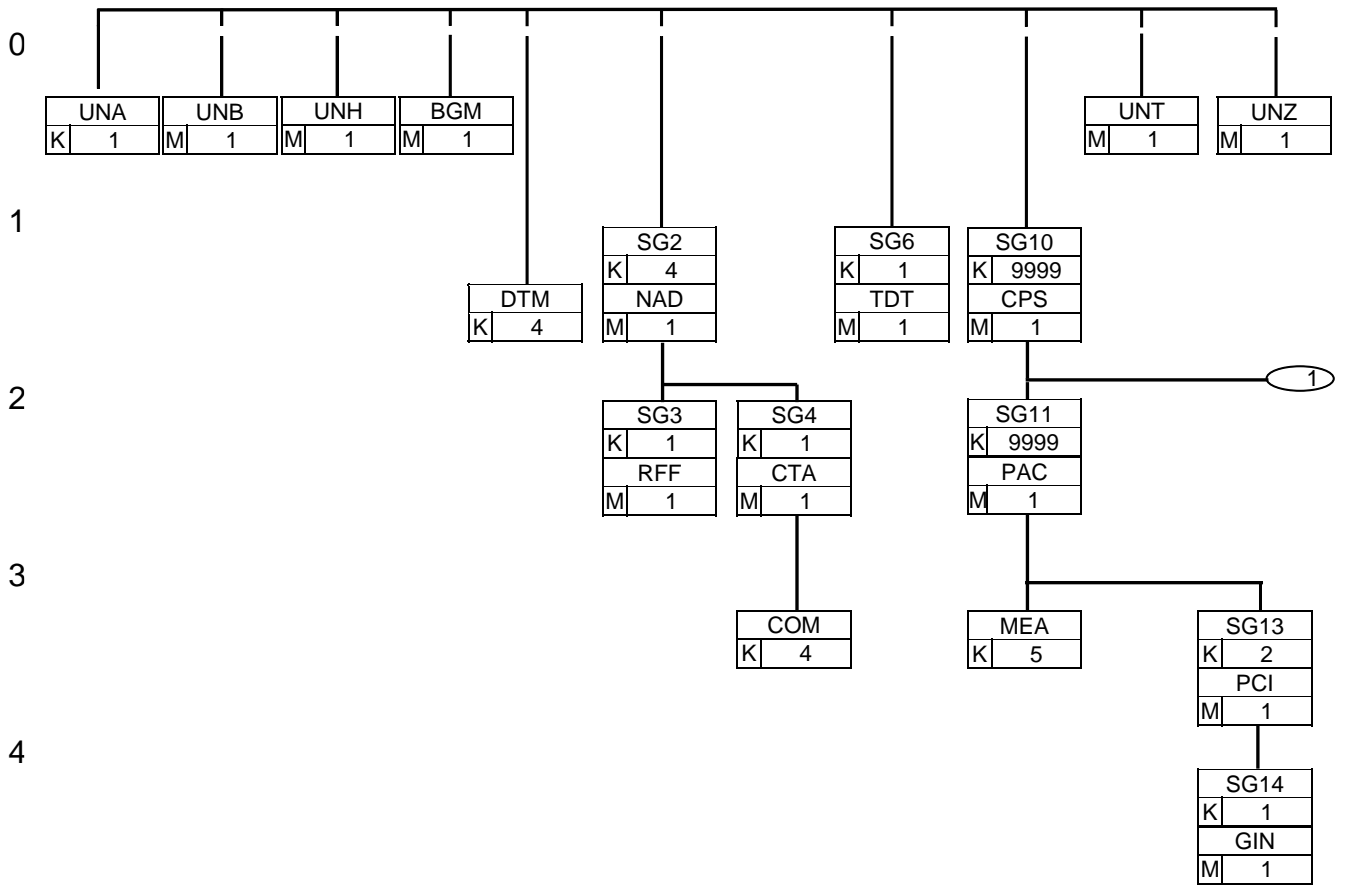
...	
CPS+1'	Complete Shipment
PAC+2++PN'	2 pallets
CPS+2+1'	Pallet 1 of the shipment
PAC+1++PN'	Packaging pallet 1
MEA+AAE+BW+KGM:263,2'	Gross weight of pallet 1
PCI+33E'	
GIN+BJ+00343107380000001051'	NVE/SSCC of pallet 1
PAC+20++CT'	Pallet 1 contains 20 cardboard boxes..
LIN+1++4310738000152:EN::89'	..with the article of the EAN 4310738000152
QTY+12:20'	Delivery quantity 20

CPS+3+1'	Pallet 2 of the shipment
PAC+1++PN'	Packaging Pallet 2
MEA+AAE+BW+KGM:305,1'	Gross weight pallet 2
PCI+33E'	Pallet provided with SSCC
GIN+BJ+00343107380000001068'	NVE/SSCC of pallet 2
PAC+20++CT'	Pallet 2 contains 20 cardboard boxes..
LIN+2++4310738000169:EN::89'	..thereof article 4310738000169..
QTY+12:5'	..Delivery quantity 5
LIN+3++4310738000176:EN::89'	..thereof article 4310738000176..
QTY+12:3'	..Delivery quantity 3
LIN+4++4310738000183:EN::89'	..thereof Article 4310738000183..
QTY+12:12'	..Delivery quantity 12

3. Instructions for Usage



4. Message Structure Diagram



5. History

Alteration date	Segment	Alteration
29/09/2008	UNB/S002/0007	Inclusion of qualifier "14" Sender GLN
29/09/2008	UNB/S003/0007	Inclusion of qualifier "14" Recipient GLN
26/05/2009	SG15	Insertion of the IMD segment

6. Message Structure of the Subset

UNA **K** 1 Presetting of Separators:

In the UNA segment, separators, decimal marks and release indicators are predefined. These marks are defined only once and apply to the following messages until they are revoked. Consequently, they will not be transferred furthermore.

If needed, value:+,? '

: separates data elements in a data element group

+ separates segment designations, data element groups and data elements

, Decimal marker (comma)

? Release indicators, restores the original meaning of the mark that follows the release indicator.

Blank space/space character, reserved for later applications

' Segment terminator

UNB	M	1	Usage Data Head Segment	<i>In the UNB segment specifications are transferred. These concern syntax, sender/recipient of the transfer file, the date and time of its creation and a data transfer reference. Optionally a password of the recipient may be transferred as well.</i>								
S001	M		SYNTAX DESIGNATOR									
0001	M	a4	Syntax Identification	Constant value: <table border="1" data-bbox="475 638 1460 683"> <tr> <td>"UNOC"</td> <td>EDIFACT Syntax Character Set C</td> </tr> </table>	"UNOC"	EDIFACT Syntax Character Set C						
"UNOC"	EDIFACT Syntax Character Set C											
0002	M	n1	Syntax Version Number	Constant value: <table border="1" data-bbox="475 828 1460 873"> <tr> <td>"3"</td> <td>EDIFACT Syntax Version 3</td> </tr> </table>	"3"	EDIFACT Syntax Version 3						
"3"	EDIFACT Syntax Version 3											
S002	M		SENDER OF THE INTERCHANGE FILE									
0004	M	an..35	Sender Designation	<i>Identifier of the senders (e. g. identification number in the Telebox400)</i>								
0007	K	an..4	Participant Designation, Qualifier	<i>This data element serves for the definite specification of the participants. The following codes are available:</i> <table border="1" data-bbox="475 1288 1460 1473"> <tr> <td>"52"</td> <td>Sender IBM/IE User</td> </tr> <tr> <td>"65"</td> <td>Sender Telebox400 User</td> </tr> <tr> <td>"ZZZ"</td> <td>Sender (other network operators)</td> </tr> <tr> <td>"14"</td> <td>Sender ILN/GLN</td> </tr> </table>	"52"	Sender IBM/IE User	"65"	Sender Telebox400 User	"ZZZ"	Sender (other network operators)	"14"	Sender ILN/GLN
"52"	Sender IBM/IE User											
"65"	Sender Telebox400 User											
"ZZZ"	Sender (other network operators)											
"14"	Sender ILN/GLN											
S003	M		USER OF THE INTERCHANGE FILE									
0010	M	an..35	Recipient Designation	<i>Identifier of the recipient (e. g. identification number in the Telebox400)</i>								
0007	K	an..4	Participant Designation, Qualifier	<i>This data element serves for the definite specification of the participants. The following codes are available:</i> <table border="1" data-bbox="475 1888 1460 2074"> <tr> <td>"52"</td> <td>Sender IBM/IE User</td> </tr> <tr> <td>"65"</td> <td>Sender Telebox400 User</td> </tr> <tr> <td>"ZZZ"</td> <td>Sender (other network operators)</td> </tr> <tr> <td>"14"</td> <td>Recipient ILN/GLN</td> </tr> </table>	"52"	Sender IBM/IE User	"65"	Sender Telebox400 User	"ZZZ"	Sender (other network operators)	"14"	Recipient ILN/GLN
"52"	Sender IBM/IE User											
"65"	Sender Telebox400 User											
"ZZZ"	Sender (other network operators)											
"14"	Recipient ILN/GLN											

S004	M		DATE/TIME OF CREATION
0017	M	n6	Date of creation <i>Date of the creation of the message on the side of the sender. The format is YYYYMMDD (year, month, day; this format is dictated by the EDIFACT Syntax, Version 3).</i>
0019	M	n4	Time of the creation <i>Format: HHMM</i>
0020	M	an..14	DATA EXCHANGE REFERENCE <i>Number for each communication address (X.400, Provider, ...) and message type, rising in ascending order. The data exchange reference number serves as a plausibility test for the assessment of double transmissions and failed transmissions. This task is being fulfilled by the converter.</i>
S005	K		REFERENCE/PASSWORD OF THE RECIPIENT
0022	M	an..14	Reference or password of the recipient <i>A password permits the access to the user system of the recipient. The Sender and Recipient may agree upon a password bilaterally.</i>

UNH	M	1	Message Head Segment <i>In the UNH segment, a message is identified definitely. The ED-ITEC Subset "Despatch Advice" is based on the message type "DESADV".</i>	
0062	M	an..14	MESSAGE REFERENCE NUMBER <i>In each transfer file, every message is consistently numbered in ascending order, beginning with "1". This task is being taken over by the converter.</i>	
S009	M		MESSAGE IDENTIFICATION	
0065	M	an..6	Message Type Identification <i>Constant value:</i> <table border="1" data-bbox="475 795 1460 840"><tr><td>"DESADV" <i>Despatch Advice</i></td></tr></table>	"DESADV" <i>Despatch Advice</i>
"DESADV" <i>Despatch Advice</i>				
0052	M	an..3	Version Number of the Message Type <i>Constant value:</i> <table border="1" data-bbox="475 967 1460 1012"><tr><td>"D" <i>Draft Directory</i></td></tr></table>	"D" <i>Draft Directory</i>
"D" <i>Draft Directory</i>				
0054	M	an..3	Release Number of the Message Type <i>Constant value:</i> <table border="1" data-bbox="475 1140 1460 1184"><tr><td>"96B" <i>UN/EDIFACT Draft Directory D.96B</i></td></tr></table>	"96B" <i>UN/EDIFACT Draft Directory D.96B</i>
"96B" <i>UN/EDIFACT Draft Directory D.96B</i>				
0051	M	an..2	Administrative Organisation, encoded <i>Constant value:</i> <table border="1" data-bbox="475 1312 1460 1357"><tr><td>"UN" <i>United Nations UN/ECE/TRADE/WP.4</i></td></tr></table>	"UN" <i>United Nations UN/ECE/TRADE/WP.4</i>
"UN" <i>United Nations UN/ECE/TRADE/WP.4</i>				
0057	K	an..6	Usage Code of the Organisation Concerned <i>Constant value:</i> <table border="1" data-bbox="475 1485 1460 1529"><tr><td>"ITEK34"</td></tr></table>	"ITEK34"
"ITEK34"				

BGM M 1 **Beginning of Message**
In the BGM segment, the purpose and name of the message are being defined.

C002 K **DOCUMENT/MESSAGE NAME**

1001 K an..3 Document/message name, encoded
The following codes are available:

<i>"22E"</i>	<i>Dispatch notification on the basis of an order created by the industry</i>
<i>"270"</i>	<i>Only delivery note data</i>
<i>"351"</i>	<i>Despatch Advice (incl. delivery note data)</i>

Implementation Note:

In the case of a Despatch Advice on the basis of a fulfilment confirmation that was created due to an order created by the industry, the Subset ORDRSP 3.2 should be used for the transmission of the fulfilment confirmation. This and subsequent versions are the only versions that allow for the specification of partial deliveries. If an older Subset version is used, the delivery quantity will exceed the quantity ordered with the second or further notifications of deliveries. This may possibly cause problems with the automatic processing at the wholesale trade.

C106 K **DOCUMENT/MESSAGE IDENTIFICATION**

1004 K an..35 Document-/Message Number
Number of the document, assigned by the sender.

- *The transmission of multiple notifications of delivery on one day is possible.*
- *For third-party deliveries, separate notifications of delivery will follow (varying delivery address in the NAD).*
- *If only delivery note data not providing information concerning the packaging is being shipped, Code 270 (only delivery note data) is used.*

DTM K 4 Date/Time/Period Specifications
In the DTM segment, the date of the shipment Despatch Advice has to be indicated. In addition to that, further data may be provided.

C507 M DATE/TIME/PERIOD DATA

2005 M an..3 Date/Time/Period Specifications, Qualifier

The following codes are available:

"11"	<i>Date/time of shipment (maybe date of delivery pick up)</i>
"17"	<i>Definite date of delivery</i>
"63"	<i>Date/time of delivery, at the latest</i>
"64"	<i>Date/time of delivery, at the earliest</i>
"137"	<i>Date/time of the Despatch Advice</i>

Implementation Note:

If possible, a definite/fixed date of delivery should be transmitted. This is the only way that exact information about the arrival of the goods at the wholesale trade can be given.

2380 K an..35 Date/Time/Period Data
Date/time of the Despatch Advice, formatted as defined in data element 2379.

2379 K an..3 Date/Time/Period Data, Format, Qualifier

The following codes are available:

"102"	<i>Format: YYYYMMDD</i>
"203"	<i>Format: YYYYMMDDHHMM</i>

Segment Group 2 K 4

This segment group encompasses the NAD segment as well as the segment groups 3 and 4. It serves for the indication of the partners and their contact persons.

NAD M 1 Name and Address

Important data concerning the addresses and data concerning the identification of the parties involved is transferred in the NAD segment.

3035 M an..3 PARTNER, QUALIFIER

The following codes are available:

"CA"	Carrier
"ST"	Shipping address (transport way connection)
"SU"	Manufacturer (Industry)
"WS"	Wholesaler

C082 K IDENTIFICATION OF THE PARTNER**3039 M an..35 Partner Identification Number, encoded**

In relation to the Qualifier given above, the identification number of the partner (in respect) will be provided here.

1131 *Is not used in Subset.*

3055 K an..3 Administrative Organisation, encoded

The following codes are available:

"9"	EAN (CCG as the German publisher of the ILN numbers)
"ZZZ"	bilaterally agreed upon (Customer number, respectively supplier number)

C058 *IS NOT USED IN SUBSET.*

C080 K NAME OF THE PARTNER

3036 M an..35 Name 1 of the partner
Name 1 of the partner.

3036 K an..35 Name 2 of the partner
Name 2 of the partner.

3036 K an..35 Name 3 of the partner
Name 3 of the partner.

C059 K STREET

3042 M an..35 Street and House Number
Building name/number and street name

3164 K an..35 PLACE

3229 *IS NOT USED IN THE SUBSET.*

3251 K an..9 POSTAL CODE/ZIP CODE

3207 K an..3 COUNTRY, ENCODED

The most important country codes according to ISO 3166 (the postal codes have to be given on the delivery note papers):

<i>"BE"</i>	<i>Belgium</i>
<i>"BG"</i>	<i>Bulgaria</i>
<i>"DK"</i>	<i>Denmark</i>
<i>"DE"</i>	<i>Germany</i>
<i>"FI"</i>	<i>Finland</i>
<i>"FR"</i>	<i>France</i>
<i>"GR"</i>	<i>Greece</i>
<i>"GB"</i>	<i>Great Britain</i>
<i>"IE"</i>	<i>Ireland</i>
<i>"IT"</i>	<i>Italy</i>
<i>"CA"</i>	<i>Canada</i>
<i>"LU"</i>	<i>Luxembourg</i>
<i>"NL"</i>	<i>Netherlands</i>
<i>"NO"</i>	<i>Norway</i>
<i>"AT"</i>	<i>Austria</i>
<i>"PT"</i>	<i>Portugal</i>
<i>"SE"</i>	<i>Sweden</i>
<i>"CH"</i>	<i>Switzerland</i>
<i>"ES"</i>	<i>Spain</i>
<i>"TR"</i>	<i>Turkey</i>
<i>"US"</i>	<i>USA</i>

Segment Group 3 K 1

This segment group contains the RFF segment. The latter contains the references concerning the partner stated in the NAD segment.

RFF M 1 Reference Data

This segment is used for the indication of reference data concerning the partner identified in the previous NAD segment. This may be for example one's own identification number at the partner's as an addition to the ILN number.

The code "XA" is available for the transfer of WEEE Registration Numbers Waste Electrical and Electronic Equipment. The transfer of the WEEE Registration Number is obligatory after 11/24/05.

C506 M REFERENCE DATA**1153 M an..3 Reference, Qualifier**

Constant value:

<p><i>"API" Additional Partner Identification*</i> <i>(e. g. one's own identification number at the partner's)</i></p> <p><i>"XA" Company/place registration number (as demanded by law)</i></p>

**Code does not correspond to any UN/ EDIFACT code list.*

1154 K an..35 Reference Number**Segment Group 3 End**

Segment Group 4 K 1

This segment group contains the CTA segment for the indication of the contact person and the COM segment for the indication of the communication connection.

CTA M 1 Contact Information

For both sender and recipient each, the name of an official in charge of this process may be transferred in the CTA segment.

3139 *IS NOT USED IN THE SUBSET.*

C056 K DEPARTMENT OR OFFICIAL IN CHARGE DATA

3413 *Is not used in the subset.*

3412 K an..35 Department or Official in Charge
Name of the official in charge or the department.

COM K 4 Communication Connection

A Segment for the indication of the communication number and type of the official in charge or the department referred to in the CTA segment.

C076 M COMMUNICATION CONNECTION

3148 M an..512 Communication Number

3155 M an..3 Communication Channel/Service, Qualifier
The following codes are available:

<i>"AH"</i>	<i>Internet address (URL/World Wide Web)</i>
<i>"EM"</i>	<i>E-Mail</i>
<i>"FX"</i>	<i>Facsimile</i>
<i>"TE"</i>	<i>Telephone</i>

Segment Group 4 End

Segment Group 2 End

Segment Group 6 K 1

This segment group contains the TDT segment for the indication of transport data.

TDT M 1 Transport Data

In the TDT segment, the mode of transportation may be transferred.

8051 M AN..3 TRANSPORT DATA, QUALIFIER

Constant value:

<i>"13" Transport</i>

8028 K an..17 TRANSPORT NUMBER

Definite Number that is assigned by the freight carrier.

C220 K MODE OF TRANSPORTATION**8067 K an..3 Mode of transportation, encoded**

The following codes are available:

<i>"10" Sea freight</i>
<i>"20" Transportation by rail</i>
<i>"30" Road transportation/Road haulage</i>
<i>"40" Air transportation</i>
<i>"50" Mail (Parcel Service)</i>
<i>"60" Multi modal transportation/Combined transportation</i>
<i>"90" Pickup/Pickup by the customer</i>

C228 K MEANS OF TRANSPORTATION**8179 K an..8 Kind/Type of the means of transportation, Identification**

The following codes are available:

<i>"31" HGV (heavy goods vehicle - Lorry/Truck;)</i>
<i>"31S" HGV (freight forwarder/forwarding agent) *</i>
<i>"51" Parcel service*</i>
<i>"52" Expedited service*</i>

*The codes marked with a * do not correspond to any UN/ EDI-FACT code list.*

C040	K		FREIGHT CARRIER				
3127	K	an..17	Freight Carrier, Identification <i>e. g. ILN of the freight carrier.</i>				
1131			<i>Is not used in the subset.</i>				
3055	K	an..3	Administrative Organisation, encoded <i>The following codes are available:</i>				
			<table border="0"> <tr> <td style="padding-right: 10px;">"9"</td> <td>EAN (CCG as the German publisher of the ILN numbers)</td> </tr> <tr> <td>"ZZZ"</td> <td>bilaterally agreed upon (e. g. freight carrier number)</td> </tr> </table>	"9"	EAN (CCG as the German publisher of the ILN numbers)	"ZZZ"	bilaterally agreed upon (e. g. freight carrier number)
"9"	EAN (CCG as the German publisher of the ILN numbers)						
"ZZZ"	bilaterally agreed upon (e. g. freight carrier number)						
3128	K	an..35	Freight Carrier, name <i>Name of the freight carrier in plaintext.</i>				
8101			<i>IS NOT USED IN THE SUBSET.</i>				
C401			<i>IS NOT USED IN THE SUBSET.</i>				
C222	K		MEANS OF TRANSPORTATION-IDENTIFICATION				
8213	K	an..9	Identification of the means of transportation, Identification <i>For example: license/license plate number of an HGV.</i>				
1131			<i>Is not used in the subset.</i>				
3055			<i>Is not used in the subset.</i>				
8212	K	an..35	Identification of the means of transport <i>Identification of the means of transport in plaintext.</i>				
Segment Group 6			End				

Segment Group 10 K 9999

This segment group contains the CPS segment and the segment group 11, 13, 14, 15, 16 and 23. It contains information about all levels of packaging and the singular items of the shipping. This segment group is able to display the hierarchy of packaging, describing the structure of packaging from the outer to the inner level of packaging. The information concerning the inner level of packaging is followed by detailed data concerning the products.

CPS M 1 Hierarchy of Packaging of a Shipment

This segment is used to provide the succession of packages of a shipment.

7164 M an..12 HIERARCHICAL IDENTIFICATION NUMBER

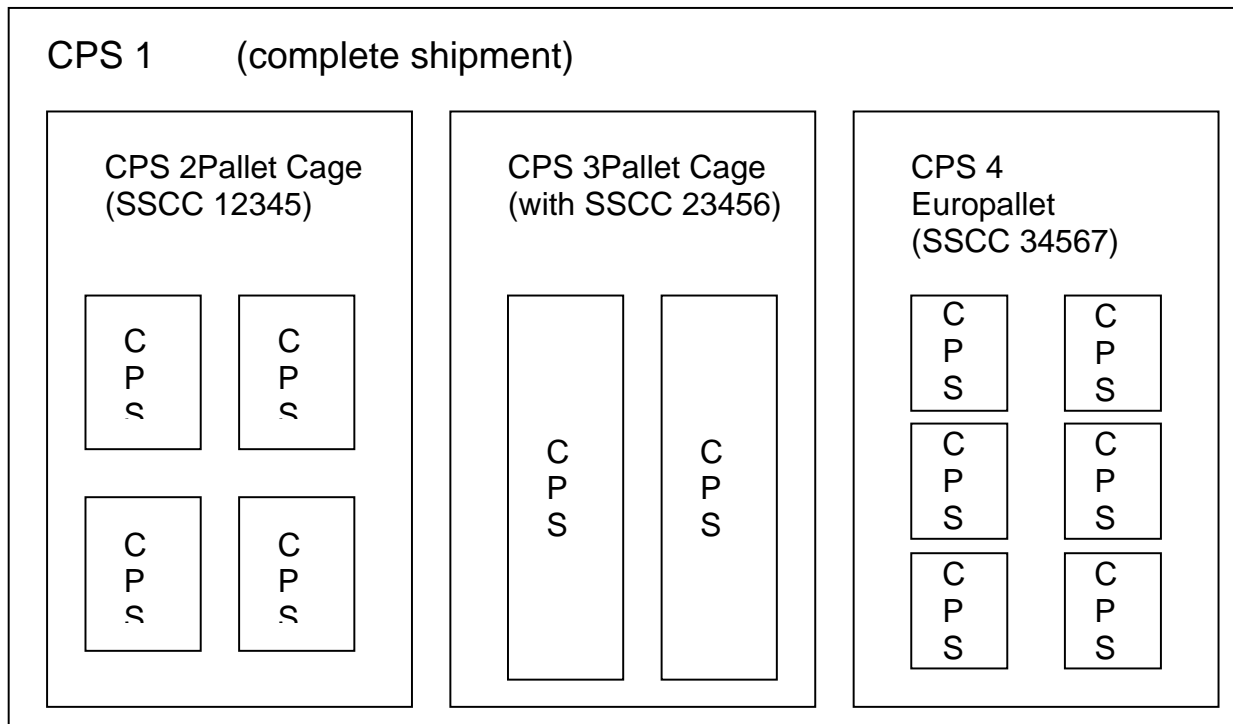
A sender provided definite number for the identification of a level within a hierarchic structure. At least one level of hierarchy has to be stated. If a hierarchy is not necessary, one level will be used for the whole of the shipment (successive number of the packaging hierarchy).

7166 K an..12 HIERARCHICAL IDENTIFICATION OF SMALL UNIT

Identification number of the next higher level in a hierarchic structure.

See page 21 for a graphic for the clarification of this procedure.

- Hierarchies are displayed firstly in vertical and secondly in horizontal order. (Graphic for the clarification of the procedure):



CPS+1

CPS+2+1
PAC+1++CH

(CPS 2 is contained in the hierarchy CPS 1)
(Packaging: pallet cage)

GIN+BJ+12345.. (SSCC)

CPS+5+2...
CPS+6+2...
CPS+7+2...
CPS+8+2...

CPS+3+1
PAC+1++CH

GIN+BJ+23456.. (SSCC)

CPS+9+3...
CPS+10+3...

CPS+4+1
PAC+1++PN

GIN+BJ+34567.. (SSCC)

CPS+11+4...
CPS+12+4...
CPS+13+4...
CPS+14+4...etc.

Segment Group 11 K 9999

This segment group contains the segments PAC and MEA as well as the segment group 13 and 14. Therein, the way of packaging, its actual physical measures, marks and package numbers, quantities, information about date, time and the packaging on this level are provided.

PAC M 1 Package / Packaging

This segment may be used to indicate per hierarchical level the complete number of a shipment's packages as defined in the CPS segment. The content of each package is consequently described in the following LIN segments.

7224 K n..8 NUMBER OF PACKAGES

Number of packages on this hierarchical level.

C531 *IS NOT USED IN THE SUBSET.*

C202 K WAY OF PACKAGING**7065 K an..17 Way of packaging, identification**

The following codes are available:

"BB"	Roll
"BG"	Bag
"BH"	Tie/Bundle
"BK"	Basket
"CF"	Box (open on the upside)
"CG"	Cage
"CH"	Pallet Cage
"CT"	Cardboard
"PA"	Packet/Small parcel
"PC"	Parcel/Package
"PG"	non-returnable pallet
"PN"	Europallet
"PU"	Box (closed)
"SC"	Mixed pallet
"TU"	Tube

C402 *IS NOT USED.*

C532 K RETURNABLE PACKAGINGS8395 *Is not used in Subset.***8393** K an..3 Freight content of returnable packaging, encoded
Constant value:

“3” Designation for an empty packaging, indicating that the packaging has to be returned.

MEA K 5 Measures and Weights
*Data about the packaging.***6311** M an..3 MEASURE DATA, USAGE QUALIFIER
Constant value:

“AAE” for measurements

C502 K MEASURE DATA**6313** K an..3 Measure Data, in dimensions, encoded
The following codes are available:

“AAI” Fill up quantity
“ABJ” Volume
“BW” Weight
“DI” Diameter
“DP” Depth
“DW” Width left
“FN” Surface area
“HT” Height
“LN” Length
“VW” Width right
“WD” Width

C174 K MEASURE DATA AND VARIATIONS**6411** M an..3 Unit of Measurement, Qualifier

The following codes are available:

"CMK"	Square centimetre
"CMQ"	Cubic centimetre/
"CMT"	Centimetre
"DZN"	Dozen
"GRM"	Gramme
"HLT"	Hectolitre
"KGM"	Kilogramme
"KTM"	Kilometre
"LTR"	Litre
"MMT"	Millimetre
"MTK"	Square metre
"MTQ"	Cubic metre
"MTR"	Metre
"PCE"	Piece
"PR"	Pair
"SET"	Set
"TNE"	Tonne

6314 K n..18 Measure value

Measure value with a maximum of three positions after decimal point.

Segment Group 13 K 2

This segment group contains the PCI segment and segment group 14. The group provides information about markings, the (logistic) meaning of labels.

PCI M 1 Package Designation

The PCI segment contains information concerning markings and labels of packaging unit and level, which are provided in the PAC segment.

4233 K an..3 MARKING NOTES, ENCODED

The following codes are available:

<i>“33E”</i>	<i>Indicated by the Serial Shipping Container Code (SSCC) – bar code*</i>
<i>“12”</i>	<i>Package number of the supplier (individual) – no bar code*</i>

*The codes marked with * do not correspond to any UN/ EDIFACT code list.*

Segment Group 14 K 1

This segment group contains the GIN segment that provides the packaging identification numbers (e. g. the serial shipping container code).

GIN M 1 Goods Identification Number

This segment contains identification numbers belonging to the packaging unit and level defined in the PAC segment.

7405 M an..3 IDENTIFICATION NUMBER, QUALIFIER

The following codes are available:

<i>"BJ"</i>	<i>Serial Shipping Container Code (SSCC) – bar code</i>
<i>"ML"</i>	<i>Packaging number of supplier (individual) – no bar code</i>

C208 M IDENTIFICATION NUMBER

7402 M an..35 Identification Number

Segment Group 14 End

Segment Group 13 End

Segment Group 11 End

Segment Group 15 K 9999

This segment group contains the segments LIN, PIA, QTY and DTM as well as the segment groups 16 and 23. They provide data concerning the shipped articles (line items).

LIN M 1 Line Item Number
This segment identifies the delivered item.

1082 K n..6 ITEM NUMBER
The items of the shipment confirmation/announcement of delivery are consecutively numbered throughout the whole message.

1229 *IS NOT USED IN THE SUBSET.*

C212 K PRODUCT IDENTIFICATION

7140 K an..35 Goods Number or Service Number
Article number of the supplier.

7143 K an..3 Type of Goods Number or Service Number, encoded
The following codes are available:

"EN"	EAN
"MF"	Manufacturer article number

The article number transferred is the one transferred in the order (EAN or Manufacturer article number).

PIA	K	10	Additional Product Identification <i>This segment is used for the indication of additional product identification concerning the line item.</i>								
4347	M	an..3	PRODUCT IDENTIFICATION FUNCTION, ENCODED <i>Constant value:</i> <table border="1" data-bbox="486 459 1447 497"> <tr> <td>"1"</td> <td>Additional Identification</td> </tr> </table>	"1"	Additional Identification						
"1"	Additional Identification										
C212	M		PRODUCT IDENTIFICATION								
7140	K	an..35	Goods Number or Service Number <i>Number corresponding to the product.</i>								
7143	K	an..3	Goods Number or Service Number, encoded <i>The following codes are available:</i> <table border="1" data-bbox="486 817 1447 987"> <tr> <td>"NB"</td> <td>Charge number</td> </tr> <tr> <td>"SN"</td> <td>Serial number</td> </tr> <tr> <td>"SNe"</td> <td>First serial number (Series of serial numbers)*</td> </tr> <tr> <td>"SNI"</td> <td>Last serial number (Series of serial numbers)*</td> </tr> </table> <i>The codes marked with * do not correspond to any UN/ EDIFACT code list.</i>	"NB"	Charge number	"SN"	Serial number	"SNe"	First serial number (Series of serial numbers)*	"SNI"	Last serial number (Series of serial numbers)*
"NB"	Charge number										
"SN"	Serial number										
"SNe"	First serial number (Series of serial numbers)*										
"SNI"	Last serial number (Series of serial numbers)*										
1131			<i>Is not used in the subset.</i>								
3055	K	an..35	Administrative Organisation, encoded <i>Constant value:</i> <table border="1" data-bbox="486 1265 1460 1310"> <tr> <td>"89"</td> <td>Administrative organisation ITEK</td> </tr> </table>	"89"	Administrative organisation ITEK						
"89"	Administrative organisation ITEK										
C212	K		PRODUCT IDENTIFICATION								
7140	K	an..35	Goods Number or Service Number <i>Number corresponding to the product.</i>								
7143	K	an..3	Goods Number or Service Number, encoded <i>The following codes are available:</i> <table border="1" data-bbox="486 1635 1447 1805"> <tr> <td>"NB"</td> <td>Charge number</td> </tr> <tr> <td>"SN"</td> <td>Serial number</td> </tr> <tr> <td>"SNe"</td> <td>First serial number (Series of serial numbers)*</td> </tr> <tr> <td>"SNI"</td> <td>Last serial number (Series of serial numbers)*</td> </tr> </table> <i>The codes marked with * do not correspond to any UN/ EDIFACT code list.</i>	"NB"	Charge number	"SN"	Serial number	"SNe"	First serial number (Series of serial numbers)*	"SNI"	Last serial number (Series of serial numbers)*
"NB"	Charge number										
"SN"	Serial number										
"SNe"	First serial number (Series of serial numbers)*										
"SNI"	Last serial number (Series of serial numbers)*										
1131			<i>Is not used in the subset.</i>								
3055	K	an..35	Administrative Organisation, encoded.								

Constant value:

"89" <i>Administrative organisation ITEK</i>
--

C212 K PRODUCT IDENTIFICATION

7140 K an..35 Goods Number or Service Number
Number corresponding to the product.

7143 K an..3 Goods Number or Service Number, encoded
The following codes are available:

"NB" <i>Charge number</i>
"SN" <i>Serial number</i>
"SNe" <i>First serial number (Series of serial numbers)*</i>
"SNI" <i>Last serial number (Series of serial numbers)*</i>

*The codes marked with * do not correspond to any UN/ EDIFACT code list.*

1131 *Is not used in the subset.*

3055 K an..35 Administrative Organisation, encoded
Constant value:

"89" <i>Administrative organisation ITEK</i>
--

C212 K PRODUCT IDENTIFICATION

7140 K an..35 Goods Number or Service Number
Number corresponding to the product.

7143 K an..3 Goods Number or Service Number, encoded
The following codes are available:

"NB" <i>Charge number</i>
"SN" <i>Serial number</i>
"SNe" <i>First serial number (Series of serial numbers)*</i>
"SNI" <i>Last serial number (Series of serial numbers)*</i>

*The codes marked with * do not correspond to any UN/ EDIFACT code list.*

1131 *Is not used in the subset.*

3055 K an..35 Administrative Organisation, encoded
Constant value:

"89" <i>Administrative organisation ITEK</i>
--

C212 K PRODUCT IDENTIFICATION

7140 K an..35 Goods Number or Service Number
Number corresponding to the product.

7143 K an..3 Goods Number or Service Number, encoded
The following codes are available:

<i>"NB"</i>	<i>Charge number</i>
<i>"SN"</i>	<i>Serial number</i>
<i>"SNe"</i>	<i>First serial number (Series of serial numbers)*</i>
<i>"SNI"</i>	<i>Last serial number (Series of serial numbers)*</i>

*The codes marked with * do not correspond to any UN/ EDIFACT code list.*

1131 *Is not used in the subset.*

3055 K an..35 Administrative Organisation, encoded
Constant value:

<i>"89"</i>	<i>Administrative organisation ITEK</i>
-------------	---

- IMD** K 10 Item description
In the IMD segment one can transmit additional text regarding the item as well as the specification of one article.
If possible one should refrain from using this segment, as it would require manual processing of the message.
- 7077 *IS NOT USED IN THE SUBSET.*
- 7081 *IS NOT USED IN THE SUBSET.*
- C273 K ITEM DESCRIPTION
- 7009 K an..17 Item description
The following codes are available:
- | | |
|-------------|---|
| <i>“ZU”</i> | <i>for additional text regarding the item</i> |
| <i>“SP”</i> | <i>for the specification of the article</i> |
- ZU* *This code is used if in addition to the article number a verbal description of the item is required. In this case the IMD segment can be repeated up to eight times, with 40 characters each (i.e. a total of 320 characters).*
- SP* *This code is used if no article number is available. For the specification of the article the IMD segment can be used twice, i.e. 2x40 characters are available. If the “SP” code is used, there is the additional possibility of using the “ZU” code for additional text, so that in this case the IMD segment can be repeated up to ten times.*
- 1131 *Is not used in the subset.*
- 3055 K an..3 Administrative organisation, encoded
Constant value:
- | | |
|-------------|---|
| <i>“89”</i> | <i>Administrative organisation ITEK</i> |
|-------------|---|
- 7008 K an..35 Item description
Characters 1-35.
- 7008 K an..35 Item description
Characters 36-40.

QTY K 1 Quantity
Information about the quantity to deliver and its measuring unit is transferred in the QTY segment.

C186 M Quantity

6063 M an..3 Quantity, Qualifier
Constant value:

"12" Quantity provided

6060 M n..15 Quantity
Quantity with a maximum of three positions after decimal point.

6411 K an..3 Measuring Unit, Qualifier
The following codes are available:

"CMK"	Square centimetre
"CMQ"	Cubic centimetre
"CMT"	Centimetre
"DZN"	Dozen
"GRM"	Gramme
"HLT"	Hectolitre
"KGM"	Kilogramme
"KTM"	Kilometre
"LTR"	Litre
"MMT"	Millimetre
"MTK"	Square metre
"MTQ"	Cubic metre
"MTR"	Metre
"PCE"	Piece
"PR"	Pair
"SET"	Set
"TNE"	Tonne

Implementation Note:

The unit of quantity in the systems of industry and wholesale trade should correspond to each other. For this purpose, a previous comparison and matching of master data is recommended.

Segment Group 16 K 6

This segment group contains the RFF segment. The group contains references to the singular line items.

RFF M 1 Reference Data

This segment serves for the indication of all references relating exclusively for the item/position.

C506 M REFERENCE**1153 M an..3 Reference, Qualifier**

The following codes are available:

<i>"AAJ"</i>	<i>Delivery note number</i>
<i>"AAS"</i>	<i>Store number</i>
<i>"FI"</i>	<i>Item number of the delivery note</i>
<i>"LI"</i>	<i>Item number of the order</i>
<i>"VN"</i>	<i>Purchase order number of the wholesaler</i>
<i>"AAK"</i>	<i>Despatch notification number of the supplier</i>

1154 K an..35 Reference Number**Segment Group 16 End**

Segment Group 23 K 1

This segment group contains the segments QVR and DTM for the indication of variations in quantity and the corresponding data concerning the date.

QVR M 1 Quantity Variations

Partial deliveries and over-deliveries are indicated here.

C279 K INFORMATION ABOUT VARIATION IN QUANTITY**6064 M n..15 Variation in Quantity**

Quantity with a maximum of three positions after decimal point.

6063 K an..3 Quantity, Qualifier

Constant value:

<i>"21" ordered quantity</i>

4221 K an..3 REASON OF VARIATION IN DELIVERY QUANTITY, ENCODED

The following codes are available:

<i>"AC"</i>	<i>Over-delivery compared to ordered quantity</i>
<i>"BP"</i>	<i>Partial delivery, subsequent delivery follows</i>
<i>"CP"</i>	<i>Partial delivery seen as completion, no further subsequent delivery</i>

In this segment, the deviation between delivered and ordered quantity is provided.

DTM K 1 Date/Time/Period Specifications
This segment is used for the indication of the date which affect the variations in quantity as they were defined in the previous QVR segment.

C507 M DATE/TIME/PERIOD SPECIFICATIONS

2005 M an..3 Date/Time/Period Specifications, Qualifier
Constant value:

<i>"58E" Date/time of subsequent delivery *</i>
--

**Code does not correspond to any UN/ EDIFACT code list.*

2380 K an..35 Date/Time/Period Specifications
Date, formatted as indicated in data element 2379.

2379 K an..3 Date/Time/Period Specifications, Format, Qualifier
The following codes are available:

<i>"102" Format: YYYYMMDD</i>

<i>"616" Format: YYYYWW</i>

Segment Group 23 End

Segment Group 15 End

Segment Group 10 End

UNT	M 1	Message End Segment <i>In the UNT segment, the number of segments and a message reference number are transferred for the purpose of a plausibility check.</i>
0074	M n..6	NUMBER OF THE SEGMENTS IN A MESSAGE <i>The number of the segments transferred with this message, including the segments UNH and UNT.</i>
0062	M an..14	MESSAGE REFERENCE NUMBER <i>Here, the same reference number as in UNH-0062 has to be registered. This number will be compared with the entry in the UNH segment at the state of this message's reception.</i>

UNZ	M 1	User Data – End Segment <i>In the UNZ segment, a data exchange counter as well as a data exchange reference may be transferred.</i>
0036	M n..6	DATA EXCHANGE COUNTER <i>Here, the number of messages in the frame of usage data UNB...UNZ is registered.</i>
0020	M an..14	DATA EXCHANGE REFERENCE <i>Here, the same reference number as in UNB/0020 has to be registered. This number will be compared with the entry in the UNB segment at the state of this message's reception.</i>
