

Implementation guidelines

EDIFACT SUBSET

EDITEC

Announcement for returns



RETANN / D.07B

Version 3.5 / September 2010

Table of contents for the “Announcement for returns” subset

1	Introduction	3
2	Instructions for use	4
3	Message structure diagram	5
4	History	6
5	Message structure of the subset	7
UNA	K 1 Presetting of Separators	7
UNB	M 1 Usage Data Head Segment	8
UNH	M 1 Message Head Segment	10
BGM	M 1 Beginning of the Message	11
DTM	K 1 Date/Time/Period Data	12
NAD	M 1 Name and Address	13
CTA	M 1 Kommunikation partner	15
COM	K 4 Communication Link	15
LIN	M 1 Line Item Data	16
DTM	K 1 Date-/Time-/Period Specifications	16
FTX	K 1 Free Text	17
QTY	M 1 Quantity	18
CDI	M 2 Article Status	19
RFF	K 1 Reference Data	21
DTM	K 1 Date-/Time-/Period Specifications	21
UNT	M 1 Message End Segment	22
UNZ	M 1 User Data End Segment	22

1 Introduction

The present implementation guidelines for the EDIFACT subset regarding the message type “Announcement for returns” was compiled by ITEK on behalf of Arbeitsgemeinschaft Neue Medien der deutschen Sanitärindustrie e.V. and Deutscher Großhandelsverband Haustechnik e.V.

ITEK

Technologiepark 19
33100 Paderborn

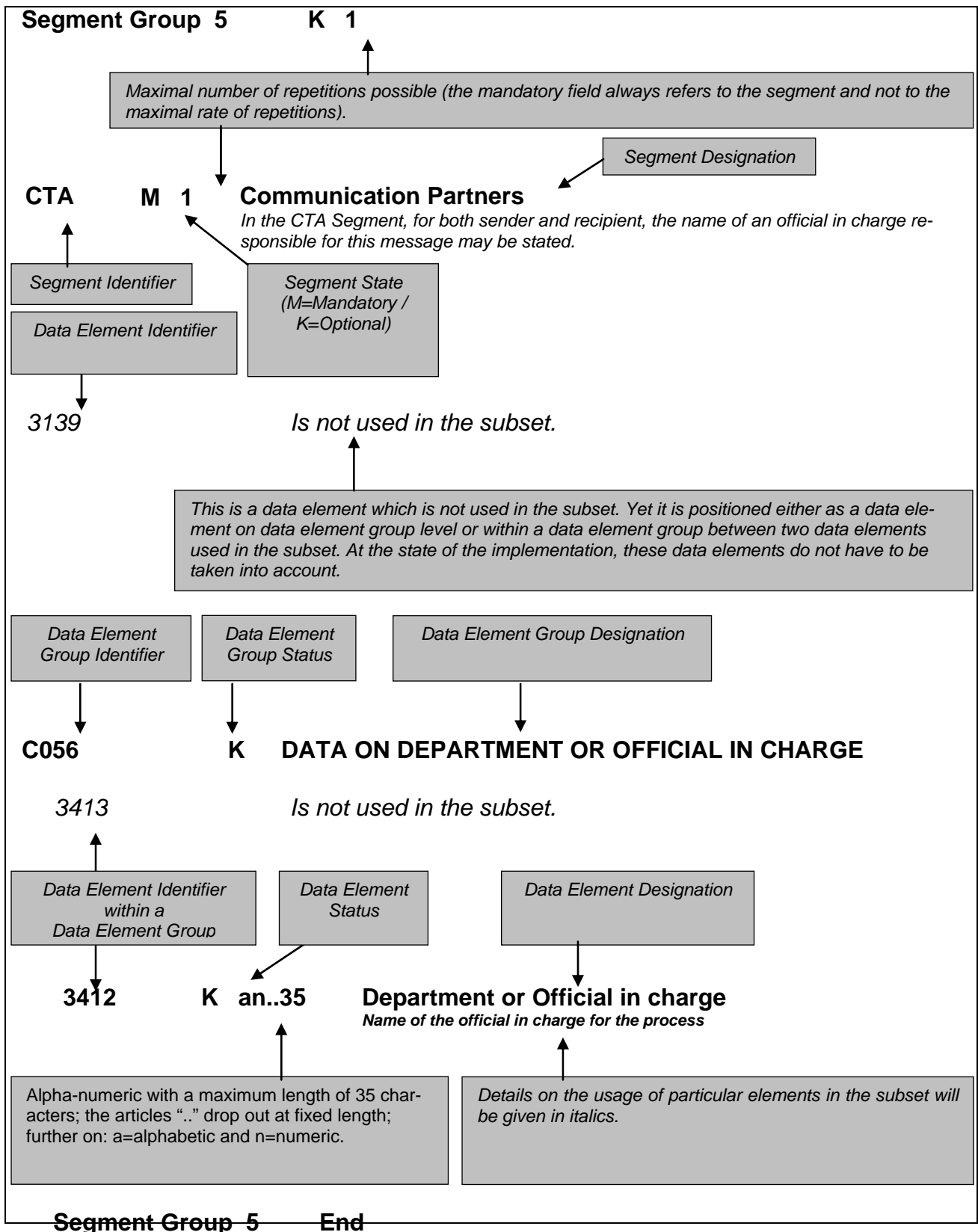
Phone no.: + 49 5251 1614 0
Fax no.: + 49 5251 1614 99
E-mail: editec@itekmbh.de

This EDIFACT subset is based on EDIFACT syntax version 3 and the following public documents:

- EDIFACT – Standardised message type “RETANN”
- UN/EDIFACT Directory 96B, UN/ECE/TRADE/WP.4
- EDIFACT Service segments application guidelines, draft DIN 16560 part 1, February 1994
- UN/EDIFACT code list D.97A

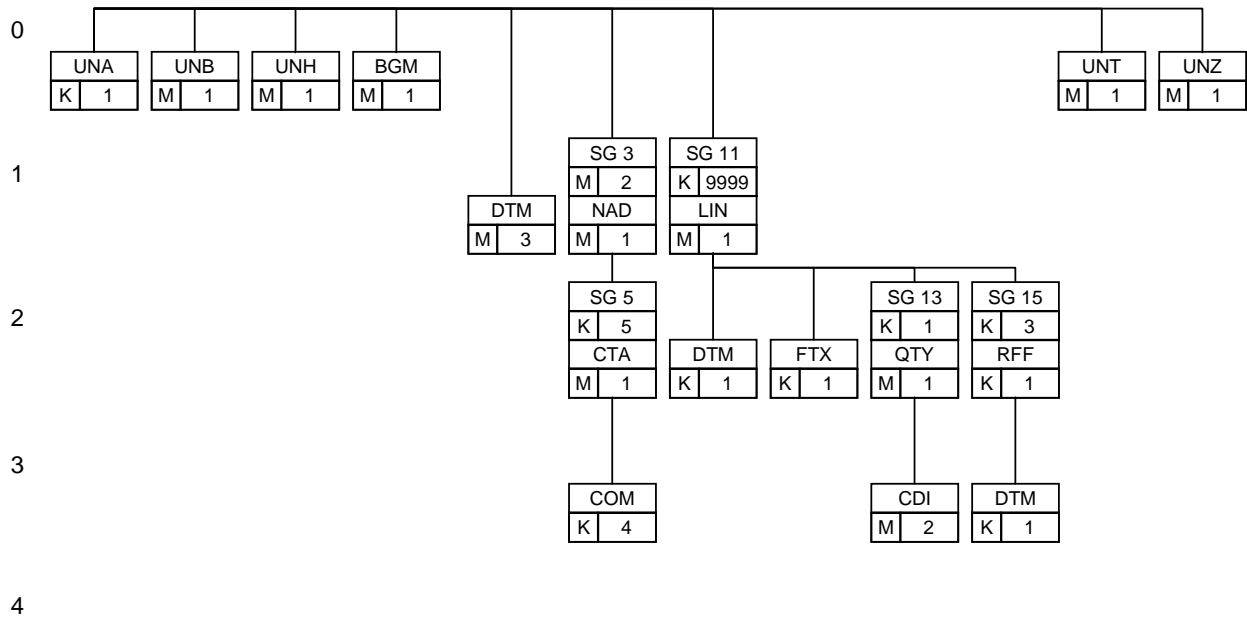
Paderborn, November 2010

2 Instructions for use



3 Message structure diagram

The following illustration shows the message structure of the “Announcement for returns” subset complete with segment status and maximum repetition frequency.



4 History

Alteration date	Segment	Alteration
18/12/2008		Draft version 0.9
12/03/2009		Draft version 0.91
12/03/2009	SG11/LIN	Deletion of the qualifier for the wholesale number Inclusion of the qualifier for the EAN
12/03/2009	SG11/LOC	Segment deleted
12/03/2009	SG11/FTX	Segment added
12/03/2009	SG11/SG15	Segment group with RFF and DTM segments included
04/06/2009		Version 1.0
04/06/2009	SG13/CDI	Code list of reasons for return completed
29/06/2009	SG13/CDI	Code list of reasons for return completed
29/06/2009	SG11	DTM segment included
14/07/2009	SG13/CDI	Repetition frequency altered to 2 Code "60I" Original packaging
01/09/2009		Version increased to 3.4

5 Message structure of the subset

UNA K 1 Presetting of Separators

In the UNA segment, separators, decimal marks and release indicators are predefined. It is defined only once and applies to the following messages until it is revoked. Consequently, it won't be transferred furthermore.

If needed, value :+,? '

: separates data elements in a data element group

+ separates segment designations, data element groups and data elements

, Decimal marker (comma)

? Release indicator, restores the original meaning of the mark that follows the release indicator.

Blank space, reserved for later applications

' Segment terminator

UNB	M	1	Usage Data Head Segment <i>The UNB segment transfers data concerning syntax, sender/recipient of the interchange file, date and time of its creation, and a data exchange reference. Optionally, a password for the recipient may be included in the transfer as well.</i>
S001	M		SYNTAX DESIGNATOR
0001	M	a4	Syntax Identifier <i>Constant Value:</i>
<i>"UNOC" EDIFACT syntax version C</i>			
0002	M	n1	Syntax Version Number <i>Constant Value:</i>
<i>"3" EDIFACT syntax version 3</i>			
S002	M		SENDER OF THE INTERCHANGE FILE
0004	M	an..35	Sender Designation <i>Sender Identifier (e. g. identification number in Telebox400)</i>
0007	K	an..4	Participant Designation, Qualifier <i>This data element serves the definite specification of the participants. The following codes are available:</i>
<i>"52" Sender IBM/IE User "65" Sender Telebox400 User "ZZZ" Sender (other network operators) "14" Sender ILN</i>			
S003	M		RECIPIENT OF THE INTERCHANGE FILE
0010	M	an..35	Recipient Designation <i>Recipient Identifier (e. g. identification number in Telebox400)</i>
0007	K	an..4	Participant Designation, Qualifier <i>This data element serves the definite specification of the participants. The following codes are available:</i>
<i>"52" Recipient IBM/IE User "65" Recipient Telebox400 User "ZZZ" Recipient (other network operators) "14" Recipient ILN</i>			

S004	M		DATE/TIME OF CREATION
0017	M	n6	Date of Creation <i>Date of creation of the message by the sender in the format "YYMMDD". (This format is prescribed according to the EDIFACT syntax version 3).</i>
0019	M	n4	Time of Creation <i>Format: HHMM</i>
0020	M	an..14	DATA EXCHANGE REFERENCE <i>Number for each communication address (X.400, provider, ...) and message/data type, consistently rising in ascending order. The data exchange reference number serves as a plausibility test for the identification of double transmissions and failed transmissions. This task is fulfilled by the converter.</i>
S005	K		REFERENCE/PASSWORD OF THE RECIPIENT
0022	M	an..14	Reference or password of the recipient <i>A password grants access to the recipient's network or user system. The sender and recipient may agree upon a password bilaterally.</i>

UNH	M 1	Message Head Segment <i>In the UNH segment, a message is identified unambiguously. The EDITEC subset "Announcement for returns" is based on the message type "RETANN".</i>	
0062	M an..14	MESSAGE REFERENCE NUMBER <i>In each transfer file, every message is consistently numbered in ascending order, beginning with "1". This task is fulfilled by the converter.</i>	
S009	M	MESSAGE IDENTIFIER	
0065	M an..6	Message Type Identifier <i>Constant Value:</i> <table border="1" data-bbox="475 857 1455 902"><tr><td>"RETANN" <i>Announcement for returns</i></td></tr></table>	"RETANN" <i>Announcement for returns</i>
"RETANN" <i>Announcement for returns</i>			
0052	M an..3	Version Number of the Message Type <i>Constant Value:</i> <table border="1" data-bbox="475 1028 1455 1072"><tr><td>"D" <i>Draft Directory</i></td></tr></table>	"D" <i>Draft Directory</i>
"D" <i>Draft Directory</i>			
0054	M an..3	Release Number of the Message Type <i>Constant Value:</i> <table border="1" data-bbox="475 1200 1455 1245"><tr><td>"07B" <i>UN/EDIFACT Draft Directory D.07B</i></td></tr></table>	"07B" <i>UN/EDIFACT Draft Directory D.07B</i>
"07B" <i>UN/EDIFACT Draft Directory D.07B</i>			
0051	M an..2	Administrative Organisation, encoded <i>Constant Value:</i> <table border="1" data-bbox="475 1373 1455 1417"><tr><td>"UN" <i>United Nations UN/ECE/TRADE/WP.4</i></td></tr></table>	"UN" <i>United Nations UN/ECE/TRADE/WP.4</i>
"UN" <i>United Nations UN/ECE/TRADE/WP.4</i>			
0057	K an..6	Operational Code of the Organisation in Charge <i>Constant Value:</i> <table border="1" data-bbox="475 1545 1455 1590"><tr><td>"ITEK35"</td></tr></table>	"ITEK35"
"ITEK35"			

BGM	M	1	Beginning of the Message <i>In the BGM segment the purpose and name of the message are defined.</i>	
C002	M		DOCUMENT/MESSAGE NAME	
1001	M	an..3	Document/Message Name, encoded <i>The following codes are available:</i> <table border="1" data-bbox="488 577 1445 616"><tr><td><i>“70E” Announcement for returns (GS1 Code)</i></td></tr></table>	<i>“70E” Announcement for returns (GS1 Code)</i>
<i>“70E” Announcement for returns (GS1 Code)</i>				
1131			<i>Is not used in the subset.</i>	
3055	M	an..3	Administrative Organisation, encoded <i>Constant Value:</i> <table border="1" data-bbox="488 813 1445 851"><tr><td><i>“89” Administrative organisation ITEK</i></td></tr></table>	<i>“89” Administrative organisation ITEK</i>
<i>“89” Administrative organisation ITEK</i>				
1000	M	an..35	Document/Message name <i>Denomination of the sales report</i>	
C106	K		DOCUMENT/MESSAGE IDENTIFICATION	
1004	K	an..35	Document/Message number <i>Number of the document, assigned by the sender.</i>	

DTM	K	1	Date/Time/Period Data <i>In the DTM segment the date of the sales report has to be transferred. In addition further data may be transferred.</i>
C507	M		DATE/TIME/PERIOD DATA
2005	M	an..3	Date/Time/Period Data, Qualifier <i>The following codes are available:</i>
<i>"137" Date/Time of message</i>			
2380	K	an..35	Date/Time/Period Data <i>Date, formatted as indicated in data element 2379.</i>
2379	K	an..3	Date/Time/Period Data, Format, Qualifier <i>The following codes are available:</i>
<i>"102" Format: YYYYMMDD</i>			
<i>"203" Format: YYYYMMDDHHMM</i>			

Segment group 3 M 2

This segment group contains the NAD segment and segment group 2 and serves the indication of the partners involved in the message and their contact persons.

NAD M 1 Name and Address

In the NAD segment data concerning the identification of the partners involved as well as important address data are transferred.

3035 M an..3 PARTNER, QUALIFIER

The following codes are available:

"SU"	Supplier/Manufacturer (Industry)
"WS"	Wholesaler

C082 K IDENTIFICATION OF THE PARTNER**3039 M an..35 Partner Identification Number, encoded**

In dependence of the qualifier stated above, the identification number of the partner is stated here.

1131 *Is not used in the subset.*

3055 K an..3 Administrative Organisation, encoded

The following codes are available:

"9"	EAN (CCG as the German issuer of the ILN numbers)
"ZZZ"	bilaterally agreed upon (customer- and supplier numbers)

C058 IS NOT USED IN THE SUBSET.

C080 K NAME OF THE PARTNER

3036 M an..35 Name 1 of the partner
Name 1 of the partner.

3036 K an..35 Name 2 of the partner
Name 2 of the partner.

3036 K an..35 Name 3 of the partner
Name 3 of the partner.

C059 K STREET

3042 M an..35 Street and house number
Building name/number and street name

3164 K an..35 LOCATION

C819 IS NOT USED IN THE SUBSET.

3229 IS NOT USED IN THE SUBSET.

3251 K an..9 POSTAL CODE

3207 K an..3 COUNTRY, ENCODED

The most important country codes according to ISO 3166 (the postal codes have to be given on the delivery note papers):

"BE"	Belgium
"BG"	Bulgaria
"DK"	Denmark
"DE"	Germany
"FI"	Finland
"FR"	France
"GR"	Greece
"GB"	Great Britain
"IE"	Ireland
"IT"	Italy
"CA"	Canada
"LU"	Luxembourg
"NL"	Netherlands
"NO"	Norway
"AT"	Austria
"PT"	Portugal
"SE"	Sweden
"CH"	Switzerland
"ES"	Spain
"TR"	Turkey
"US"	USA

Segment group 11 K 9999**LIN M 1 Line Item Data**

In the LIN segment the article number of the article to be returned is transferred following a current serial number.

1082 K n..6 LINE ITEM NUMBER
Current serial line item number.

1229 *IS NOT USED IN THE SUBSET.*

C212 M PRODUCT IDENTIFICATION

7140 M an..35 Goods-/Service Number
Supplier's article number

7143 M an..3 Goods-/Service Number, encoded
The following codes are available:

"MF"	Manufacturer's article number
"EN"	EAN (European Article Number)

DTM K 1 Date-/Time-/Period Specifications

This segment is used for transferring date specifications referring to the delivery note or invoice.

C507 M DATE-/TIME-/PERIOD SPECIFICATIONS

2005 M an..3 Date-/Time-/Period Specifications, Qualifier
Constant Value:

"94"	Year of manufacture
------	---------------------

2380 K an..35 Date-/Time-/Period Specifications
Date, formatted as indicated in data element 2379.

2379 K an..3 Date-/Time-/Period Specifications, Format, Qualifier
The following codes are available:

"102"	YYYYMMDD
"602"	YYYY

FTX K 1 Free Text

In the FTX segment an additional text referring to the Announcement for Returns may be transferred.

4451 M an..3 TEXT, QUALIFIER

The following codes are available:

"AAI" General information

4453 *IS NOT USED IN THE SUBSET.*

C107 *IS NOT USED IN THE SUBSET.*

C108 K FREE TEXT

4440 M an..70 Free Text

4440 K an..70 Free Text

4440 K an..70 Free Text

4440 K an..70 Free Text

4440 K an..70 Free Text

Segment group 13 K 1**QTY** M 1 Quantity*In the QTY segment information regarding the quantity to be delivered and the unit of measurement are transferred.***C186** M QUANTITY DATA**6063** M an..3 Quantity, Qualifier*Constant Value:*

"61" <i>Return quantity</i>

6060 M n..15 Quantity*Quantity with a maximum of three decimal fractions.***6411** K an..3 Unit of measurement, Qualifier*The following codes are available:*

"CMK"	<i>Square centimetre</i>
"CMQ"	<i>Cubic centimetre</i>
"CMT"	<i>Centimetre</i>
"DZN"	<i>Dozen</i>
"GRM"	<i>Gramme</i>
"HLT"	<i>Hectolitre</i>
"KGM"	<i>Kilogramme</i>
"KTM"	<i>Kilometre</i>
"LTR"	<i>Litre</i>
"MMT"	<i>Millimetre</i>
"MTK"	<i>Square metre</i>
"MTQ"	<i>Cubic metre</i>
"MTR"	<i>Metre</i>
"NRL"	<i>Number of Rolls</i>
"PCE"	<i>Piece</i>
"PR"	<i>Pair</i>
"SET"	<i>Set</i>
"TNE"	<i>Tonne</i>

CDI M 2 Article Status

In the CDI segment information regarding the article status are transferred.

In the first message the reason for the return (Code 10I to 59I) is indicated. In a second message it is possible to specify whether the article is in its original packaging (Code 60I only).

7001 M ARTICLE STATUS QUALIFIER

Constant Value:

<i>"3E"</i>	<i>Upon return of goods (GS1 Code)</i>
-------------	--

C564 M ARTICLE STATUS**7007** M an..3 Article status

Article status, encoded

<i>"10I"</i>	<i>Other reasons</i>
<i>"11I"</i>	<i>Wrong delivery</i>
<i>"12I"</i>	<i>Quality complaint</i>
<i>"13I"</i>	<i>Transport damage</i>
<i>"14I"</i>	<i>Quantity difference</i>
<i>"15I"</i>	<i>delivered too late</i>
<i>"16I"</i>	<i>duplicate order</i>
<i>"17I"</i>	<i>wrong order</i>
<i>"18I"</i>	<i>Customer declined acceptance</i>
<i>"19I"</i>	<i>Stock clearance</i>
<i>"20I"</i>	<i>Manufacturing complaint</i>
<i>"21I"</i>	<i>For repair</i>
<i>"22I"</i>	<i>Discontinued article</i>
<i>"23I"</i>	<i>Recall</i>
<i>"24I"</i>	<i>Return contractually agreed</i>
<i>"25I"</i>	<i>Return due to product alterations</i>
<i>"26I"</i>	<i>Return of large objects</i>
<i>"27I"</i>	<i>Customer does not need the goods any more</i>
<i>"28I"</i>	<i>Return without announcement</i>
<i>"29I"</i>	<i>Product does not comply with customer's wishes</i>
<i>"30I"</i>	<i>Item is partly missing</i>
<i>"31I"</i>	<i>Wrong unloading point</i>
<i>"32I"</i>	<i>Over-delivery</i>
<i>"33I"</i>	<i>Loading error (loaded on the wrong truck)</i>
<i>"34I"</i>	<i>Package labels mixed up</i>

"35I"	No loading (goods were left behind)
"36I"	Non-compliance with forwarding instructions
"37I"	Non-compliance with goods receiving hours
"38I"	Adjusting entry without movement of goods
39I"	Receipt cancelled
"40I"	Goods had not been ordered
"41I"	Wrong product delivered
"42I"	Return of goods without reason
"43I"	Late / early loading
"44I"	Return for financial reasons
"45I"	Return of class A goods
"46I"	Return of class C goods
"47I"	Return by customer service technician
"48I"	Surplus of goods at the customer's
"49I"	Without credit note
"50I"	Clearing
"51I"	Faulty goods
"52I"	Other redemptions
"53I"	Damaged goods
"54I"	Damaged packaging
"55I"	Goodwill redemption
"56I"	Duplicate delivery
"57I"	Wrong customer order
"58I"	Order entered incorrectly
"59I"	Recalibration
"60I"	Original packaging

1131 *Is not used in the subset.*

3055 K an..3 Administrative Organisation, encoded
Constant Value:

"89"	Administrative Organisation ITEK
------	----------------------------------

7006 K an..70 Article status description
Description of the article status

Segment group 13

End

Segment group 15 K 3**RFF K 1 Reference Data**

This segment is used for indicating references.

C506 M REFERENCE DATA**1153 M an..3 Reference, Qualifier**

The following codes are available:

"AAJ"	Delivery note number
"AFL"	Invoice number
"EME"	E-mail
"FAX"	Fax

1154 K an..35 Reference Number**DTM K 1 Date-/Time-/Period Specifications**

This segment is used for transferring date specifications referring to the delivery note or invoice.

C507 M DATE-/TIME-/PERIOD SPECIFICATIONS**2005 M an..3 Date-/Time-/Period Specifications, Qualifier**

Constant Value:

"243"	Date of the referenced document
-------	---------------------------------

2380 K an..35 Date-/Time-/Period Specifications

Date, formatted as indicated in data element 2379.

2379 K an..3 Date-/Time-/Period Specifications, Format, Qualifier

The following codes are available:

"102"	YYYYMMDD (year, month, day)
"203"	YYYYMMDDHHMM (year, month, day, hour, minute)

Segment group 15 End

Segment group 11 End

UNT	M 1	Message End Segment <i>In the UNT segment the number of segments and a message reference number are transferred for the purpose of a plausibility verification.</i>
0074	M n..6	NUMBER OF SEGMENTS IN A MESSAGE <i>Number of segments transferred with this message, including the UNH and UNT segments.</i>
0062	M an..14	MESSAGE REFERENCE NUMBER <i>Here, the same reference number as in UNH / 0062 has to be entered. Upon receipt of message, this number is compared to the entry in the UNH segment.</i>
UNZ	M 1	Usage Data End Segment <i>In the UNZ segment a data exchange counter and a data exchange reference may be transferred.</i>
0036	M n..6	DATA EXCHANGE COUNTER <i>Here, the number of messages is entered in the usage data frame UNB...UNZ.</i>
0020	M an..14	DATA EXCHANGE REFERENCE <i>The same reference number as in UNB / 0020 has to be entered here. Upon receipt of message, this number is compared to the entry in the UNB segment.</i>